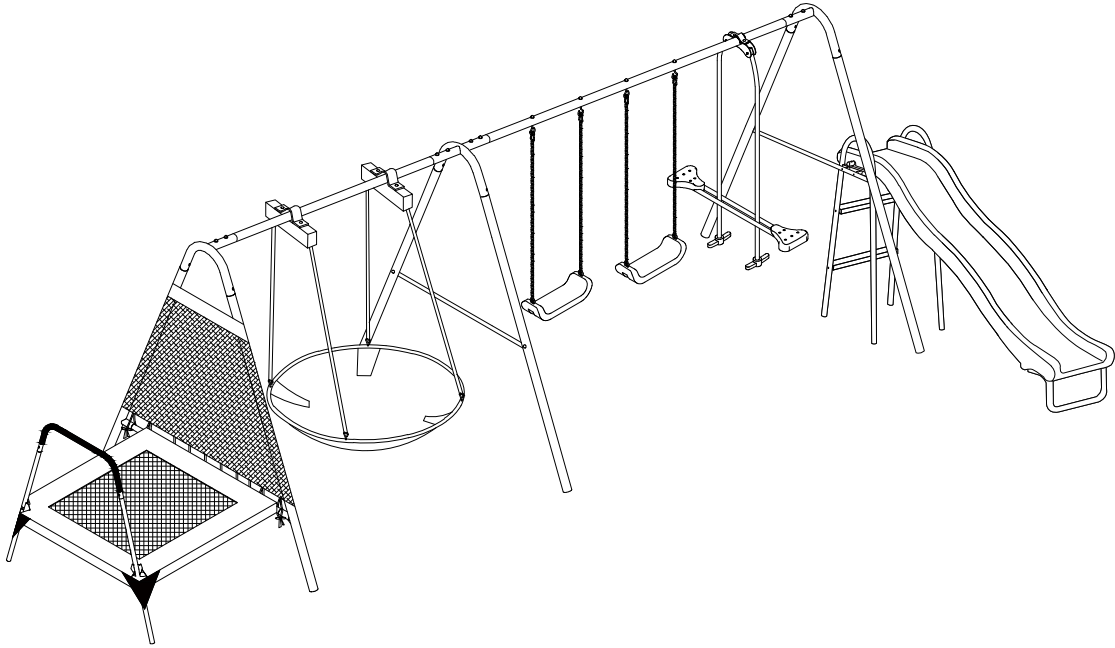


SPORTSPOWER™

MODEL#MSC-3878-BM SUPER FUN 6-LEG SWING SET

OWNER'S MANUAL
ASSEMBLY INSTRUCTIONS, CARE, MAINTENANCE AND USER'S GUIDE



FOR RESIDENTIAL USE ONLY

WARNING

- This product is designed to be used simultaneously by up to 8 children between the ages 3 to 8.
- Maximum weight of each user is 100lbs(45kg). Combined weight of all users must not exceed 800lbs(363kg).
- Carefully read this entire instruction manual before you start to assemble or use this swing set.
- You must follow all instructions and warnings while using this equipment.
- Do not use this swing set on hard packed soil, concrete, or any kind of hard surface.
- This equipment must be anchored (anchors not included). You should consult your local contractor regarding the best way to anchor the product in your location of installation.
- Assembly requires at least two adults.

Save this instruction manual for future reference

DO NOT RETURN TO THE STORE

For customer service, please call 1-866-632-1718 Monday-Friday 9am-5pm Eastern Time or visit www.partsnservice.com

SPORTSPOWER LTD
FLAT M, 3/FLOOR, KAISER ESTATE PHASE 3, 11 HOK YUEN STREET, HUNGHOM, KOWLOON, HK
www.sportspowerltd.net

INTRODUCTION

Dear Valued Customer,

Congratulations on your Sportspower play set purchase! Please read and completely understand the contents of this owner's manual. This manual contains specific instructions and warnings that must be followed to prevent injuries.

This play set is for residential use only. This play set is NOT intended for public or commercial use. The warranty will be voided if the play set is used in a commercial application.

The product is designed for use by children between the ages of 3-8. Children must NOT play on this set until it is properly assembled and inspected by an adult. Adult supervision is required at all times while children are playing on the equipment. Do not allow children under six (6) years old to be near during the assembly of this product due to choking hazards of small parts.

The equipment must be installed on level ground. Uneven ground must be leveled prior to installation. Installation on sloping or uneven ground will put stress on the joints, causing the unit to become loose and unstable which may result in serious injuries. You must ensure there are no obstructions or structures (e.g. electrical wires, branches, house, fence, garage, etc) within six (6) feet from the equipment.

The Consumer Product Safety Commission's Outdoor Home Playground Safety Handbook recommends to install and maintain the playground equipment over at least 9 inches of wood chips, mulch or shredded rubber (for equipment up to 8 feet high) or sand or pea gravel (for equipment no more than 5 feet high) as shock absorbing material. Dirt and grass, which are the most prevalent surfaces under home playground equipment, do not adequately protect children from serious head injuries. Install protective surfacing at least six feet in all directions from play equipment. For swings, the surface should extend, in back and front, twice the height of the suspending bar. Do not install your play set over hard surface, e.g. asphalt, concrete, packed earth, tile or brick floor. Please refer to extracts from the CONSUMER PRODUCT SAFETY COMMISSION'S OUTDOOR HOME PLAYGROUND SAFETY HANDBOOK contained in this manual for further details.

Do not allow children to use the product during windy or wet weather conditions. It is highly recommended the product be anchored into the ground to prevent movement and to make the swing set more stable during use. You should consult a local contractor about ways to anchor the product in your location.

The equipment must be checked before each use and maintained regularly. This includes, but is not limited to inspecting the play set for cracks, excess wear, missing parts, loose connections and for overall integrity. When the equipment shows any signs of weakness or damage, you must stop using the play set immediately, properly store the set or restrict access by users until the condition is resolved.

Your product is warranted against defects in material and workmanship. Extended warranty is also offered to those customers registering their products at www.sportspowerltd.net within 14 days from the date of purchase. Please refer to our warranty policy at the back of this manual for details.

If you experience any problems with your product, do not return to the store.

For customer service, please call 1-866-632-1718 Monday-Friday 9am-5pm Eastern Time. If

you are unable to reach us at the above number for any reason

please visit www.sportspowerltd.net

IMPORTANT INSTRUCTIONS AND WARNINGS

WARNING

READ ALL INSTRUCTIONS BEFORE ASSEMBLING OR USING THIS EQUIPMENT

AGE LIMIT

- This product is designed to be used by up to eight (8) children between the ages of 3 to 8. Maximum user weight is 100 pounds (45.4kg) each with a combined maximum weight of 800 pounds (363kg).
- The play set is designed for children over three (3) years of age. Use by smaller children can result in entrapment.
- On-site adult supervision is required at all times for children of all ages.
- Do not allow use by children with any physical condition that may affect his/her ability to use this equipment safely.

BEFORE YOU BEGIN

- Carefully read all instructions in this manual before assembling and using this product.
- The unit must be assembled by adults. Heavy duty working gloves must be worn to avoid injuries during assembly.
- Children must not use the equipment until it is properly assembled and anchored.
- Adult supervision is required during the use of this equipment at all times.
- Unpack all parts. Take a complete inventory of all parts and hardware using the parts and hardware lists in the following pages. If any parts are missing, do not return to the store. Please call customer service toll-free number listed on the cover page for assistance. Store the product back in the original box and do not begin to install until all parts are obtained.

LOCATION OF PLAY SET

- The equipment must be placed more than six(6) feet(1.8 meter) from any structures or obstructions, including but not limited to buildings, fence, garage, trees, laundry lines, electrical wires. Children can be seriously injured running or swinging into obstacles.
- The play set must be installed on level ground. Uneven ground must be leveled prior to installation. Installation on sloping or uneven ground will put stress on the joints, causing the unit to become loose and unstable which may result in serious injuries.
- Remove any tripping hazards from the safe play area, such as roots, tree stumps, rocks, landscaping, sprinkler heads, railroad ties, plumbing and electrical connections.

- **Do not install your play set over hard surface, e.g. asphalt, concrete, packed earth, tile or brick floor. A fall onto a hard surface can result in serious injury or death to the user.** The following is a list of recommended ground covers from the Consumer Product Safety Commission:

<u>SUGGESTED MATERIAL</u>	<u>UNCOMPRESSED DEPTH</u>
Double Shredded Bark Mulch	9"
Uniform Wood Chips	12"
Fine Gravel	12"
Fine Sand	12"

The Consumer Product Safety Commission's Outdoor Home Playground Safety Handbook recommends to install and maintain the playground equipment over at least 9 inches of wood chips, mulch or shredded rubber (for equipment up to 8 feet high) or sand or pea gravel (for equipment no more than 5 feet high) as shock absorbing material. Dirt and grass, which are the most prevalent surfaces under home playground equipment, do not adequately protect children from serious head injuries. Install protective surfacing at least six feet in all directions from play equipment. For swings, the surface should extend, in back and front, twice the height of the suspending bar. You should consult a local contractor about ways to secure the product in your location. Do not install your play set over hard surface, e.g. asphalt, concrete, packed earth, tile or brick floor. Please refer to the CONSUMER PRODUCT SAFETY COMMISSION'S OUTDOOR HOME PLAYGROUND SAFETY HANDBOOK for detailed guidelines to prevent injuries from falls and other hazards on public and home playgrounds.

WARNINGS ON ANCHORING

It is highly recommended the product be anchored into the ground to prevent movement and to make the swing set more stable during use.

Some consumers want an anchoring system that allows the product to be moved to different locations. Other consumers want to keep their swing set in a permanent location.

There are different types and different methods of anchoring this product. Sportspower does not make a specific anchoring recommendation as each consumers need and conditions can vary.

It is highly recommended that you seek the opinion from a local licensed contractor on the best way to secure the swing set in your location. The best way to anchor a product is to create a concrete footing and use that as a base for an anchor. Whatever method you prefer for your location, an anchoring system for this product should be used at all times.

WEATHER CONDITIONS

- DO NOT use this equipment if the swing seat, slide or any parts are wet. Use the play set only when the parts are clean and dry. If the equipment is wet, the user could slip and suffer injuries.
- Please be aware of weather conditions when using the equipment. If it is too windy, users could lose control and suffer injuries. The playground equipment must be properly anchored, stored away or restricted from use during inclement weather such as heavy winds or severe weather storms. You should consult a local contractor about ways to anchor the product in your location.

PLAY SUPERVISION

- DO NOT allow more than one child to play on the individual swing, trampoline or slide component at any one time. The maximum user limit for the flying saucer only is two persons.
- DO NOT allow children to stand on the slide, swing seats or glide ride.
- DO NOT allow children to walk too close to moving parts. ALWAYS keep a safe distance to avoid being struck by other children while playing on swings, slides, trampolines etc.

- DO NOT allow children to twist the swing chains or ropes, or loop them over the top support bar as this may reduce the strength of the chain or rope.
- DO NOT swing empty seats as this may cause injuries.
- ALWAYS guide children to sit in the center of swinging parts, with their full weight placed in the seat center and holding on to the swing chains.
- DO NOT allow children to jump off the equipment while it is in motion. ALWAYS come to a full stop before dismounting.
- ALWAYS dress children appropriately for proper play, e.g. wear well-fitted rubber sole shoes, and remove loose or sharp items such as jewelry, hair accessories, scarves which may become entangled in the equipment or cause injuries.
- ALWAYS make sure children remove their bike or other sports helmets before playing on the playground.
- DO NOT allow children to slide down head first.
- DO NOT allow children to climb onto swing or jump to/from different play areas of the equipment.
- ALWAYS return safely to the ground before approaching another play area.
- DO NOT allow children to climb on structural parts (e.g. legs, top bar). These are structural components and are not designed for play.
- ALWAYS check the slide or other parts exposed to the body for extreme heat from the sun before allowing children to use the equipment.
- ALWAYS prevent access and secure from any unauthorized use when there is no adult supervision.
- DO NOT allow pets or other animals near the equipment to prevent damage or injuries.
- Adequate overhead clearance is essential. A minimum of 24 ft (7.3 meters) from ground level is recommended. Provide clearance for wires, tree limbs, and other possible hazards.
- Use the trampoline in a well-lit area. Artificial illumination may be required for shady areas.

TRAMPOLINE WARNINGS

- Do NOT attempt or allow somersaults. Landing on the head and neck can cause serious injury, paralysis, or death, even when landing in the middle of the bed.
- Use trampoline only with mature, knowledgeable supervision.
- Do not jump onto the trampoline. Carefully step on and off the trampoline mat. Do not use the trampoline as a springboard to other objects.
- Avoid bouncing too high. Maintain control of the bounce and focus on landing in the center of the trampoline.
- Bounce only when the surface of the mat is dry. Do not use during wet or windy conditions.
- Never use the trampoline without the frame padding properly secured and fully covering the frame.
- Remove any obstructions from beneath the trampoline before each use.
- Do not allow any pets onto the trampoline as the mat may be damaged.
- Any type of sharp or pointed objects must be kept off the trampoline mat at all times.
- Always inspect the trampoline before each use and replace any worn, defective or missing parts. Please make sure to check following conditions that could represent potential hazards before using:
 - Missing, improperly positioned, damaged or insecurely attached frame padding.
 - Punctures, frays, tears or holes worn in the bed or frame padding.
 - Deterioration in the stitching or fabric of the bed or frame padding.
 - Broken, missing or damaged springs.
 - A bent or broken frame.
 - A sagging, broken bed.

- Sharp protrusions on the frame or suspension system.
- Protrusions of any types (especially sharp typed) on the frame, springs or mat.
- Loose stitching or any kind of deterioration of the mat.

If any of the above conditions exist, restrict use until proper repairs or replacements are made.

- Climb on and off the trampoline. It is a dangerous practice to jump from the trampoline to the floor or ground when dismounting, or to jump onto the trampoline when mounting.
- Stop bounce by flexing knees as feet come in contact with the bed. Learn this skill before attempting others.
- Learn fundamental bounces and body positions thoroughly before trying more advanced skills. A variety of trampoline activities can be carried out by performing the basic fundamentals in various series and combinations, performing one fundamental after another, with or without feet bounces between them.
- Control is more important than height.
- While keeping the head erect, focus eyes on the trampoline toward the perimeter. This will help control bounce.
- Avoid bouncing when tired. Keep turns short.
- Properly secure the trampoline when not in use. Protect it against unauthorized use. Keep objects away which could interfere with the performer. Maintain a clear area around the trampoline.

Responsibilities of the user

The key here is to stay in control of your jumps. DO NOT move onto more complicated, more difficult maneuvers until you have mastered the basic, fundamental bounce. Read, understand, and practice all precautions and warnings prior to using the trampoline. A controlled jump is when you land and take off from the same location. For additional tips and instructions, contact a certified trampoline instructor.

Supervisor's or owner's role in preventing injuries

It is the responsibility of the supervisor(s) of the trampoline users to provide knowledgeable and mature supervision. They need to know and enforce all the rules and warnings set forth in this manual in order to minimize the likelihood of accidents and injuries and to inform users of these rules. During the periods of time when supervision is unavailable or inadequate, the trampoline should be disassembled and stored in a secure place to prevent unauthorized use. The supervisor is also responsible to ensure that the safety placard is placed on the trampoline and that the jumpers are informed of these warnings and instructions.

INSPECTION PRIOR TO EACH USE OR DAILY INSPECTION

- DO NOT use the equipment if any bolts or nuts are missing or loose. ALWAYS check to ensure the equipment and all parts are well secured and stable before each use.
- ALWAYS clear the play area of any rocks, sharp objects, or any materials that could be potentially hazardous to users.
- DO NOT attach items to the equipment that are not specifically designed for use with the equipment, including, but not limited to, jump ropes, clothesline, pet leashes, cables and chains as they may cause choke hazards.
- The steel and plastic parts used in your product are subject to normal wear. Gradual deterioration of the material will occur, the speed of which will depend on the level of exposure to UV rays, airborne pollution, outdoor weather conditions such as rain and wind and the amount of use. You must inspect the equipment prior to every use. This includes, but is not limited to inspecting the set for cracks, excess wear, missing parts, loose connections, and for overall integrity. When the set shows any signs of weakness, you must stop using the play set immediately, properly store the set or restrict access by users until the condition is resolved.
- Verify that the suspended climbing ropes, chain or cable are secured at both ends and tightened, so that there is no loose ropes, chain or cable hanging that can result in choking hazard.

When conducting inspections, it is recommended that you use the Suggested General Maintenance Checklist and Routine Inspection and Maintenance Issues checklists provided by the US Consumer Product Safety Commission, a copy of which is contained in this user manual.

CARE & MAINTENANCE INSTRUCTIONS

- Inspect all nuts and bolts twice monthly during the usage season for tightness and tighten as required. It is particularly important that this procedure is followed at the beginning of each season.
- Oil all metallic moving parts monthly during the usage period.
- Sand rusted areas on metal tubing and repaint using a nonlead-based paint meeting the requirements of Title 16 CFR Part 1303.
- Check swing seats, ropes, cables and chains monthly during usage season for deterioration. Replacements should be made in accordance with the manufacturer's instructions.
- Check all coverings for bolts and sharp edges twice monthly during usage season to be certain that they are in place and replace when necessary. It is especially important to do this at the beginning of each new season.
- Do not use when the temperature drops below 32 degrees F (0 degrees C); remove and store the plastic swing seats and slides indoors.
- Owners shall be responsible for maintaining the legibility of the warning labels.

IMPORTANT

CONSUMER INFORMATION SHEET

The Consumer Product Safety Commission estimates there are more than 200,000 playground related injuries involving children each year. Injuries involving this hazard pattern tend to be among the most serious of all playground injuries and have the potential to be fatal, particularly when the injury is to the head. The surface under and around playground equipment can be a major factor in determining the injury-causing potential of a fall. It is self evident that a fall onto a shock absorbing surface is less likely to cause a serious injury than a fall onto a hard surface. Playground equipment should never be placed on hard surfaces such as concrete or asphalt and while grass may appear to be acceptable it may quickly turn to hard packed earth in areas of high traffic. Shredded bark, mulch, wood chips, fine sand or fine gravel are considered to be acceptable shock absorbing surface when installed and maintained at a sufficient depth under and around playground equipment.

Table below lists the maximum height from which a child would not be expected to sustain a life-threatening head injury in a fall onto four different loose-fill surfacing materials if they are installed and maintained at depths of 6" (15.25CM), 9" (22.9CM), and 12" (30.5CM).

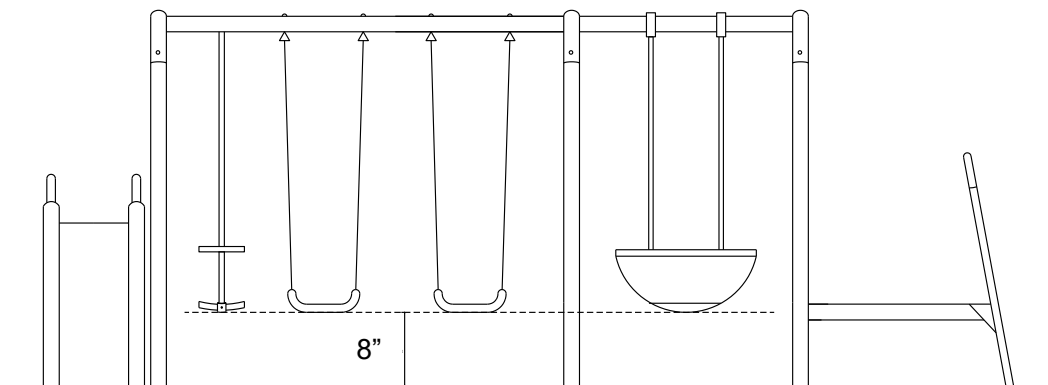
FALL HEIGHT IN FEET FROM WHICH A LIFE THREAENING HEAD INJURY WOULD NOT BE EXPECTED			
TYPE OF MATERIAL	6" (15.25CM) DEPTH	9" (22.9CM) DEPTH	12" (30.5CM) DEPTH
Double shredded bark mulch	6" (15.25CM)	10" (25.4CM)	11" (27.94CM)
Wood Chips	6" (15.25CM)	7" (17.8CM)	12" (30.5CM)
Fine Sand	5" (12.7CM)	5" (12.7CM)	9" (22.86CM)
Fine Gravel	6" (15.25CM)	7" (17.8CM)	10" (25.4CM)

However, it should be recognized that all injuries due to falls cannot be prevented no matter what surfacing material is used.

We recommend that a shock absorbing material should extend a minimum of 6ft in all directions from the perimeter of stationary equipment such as climbers and slides. However, because children may deliberately jump from a moving swing, the shock absorbing material should extend in the front and rear of a swing a minimum distance of 2 times the height of the pivot point measured from a point directly beneath the pivot on the supporting structure.

This information is intended to assist in comparing the relative shock-absorbing properties of various materials. No particular material is recommended over another. However, each material is only effective when Properly maintained. Materials should be checked periodically and replenished to maintain correct depth as determined necessary for your equipment. The choice of a material depends on the type and height of the playground equipment, the availability of the material in your area and its cost.

Note: The maximum fall height for this product is 6 feet. The minimum ground Clearance between the bottom of the suspended plays and the playing or ground service must be 8 inches.



This information has been extracted from the CPSC publication on "Playground Safety". You can obtain more information by sending a postcard to the: Office of public Affairs, U.S. Consumer Product Safety Commission, Washington, D.C.20207

ANCHORING

(NOTE: ANCHORS ARE NOT INCLUDED-MUST BE PURCHASED SEPARATELY)

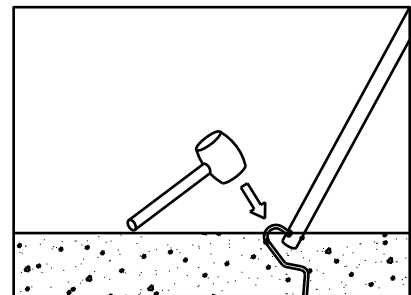
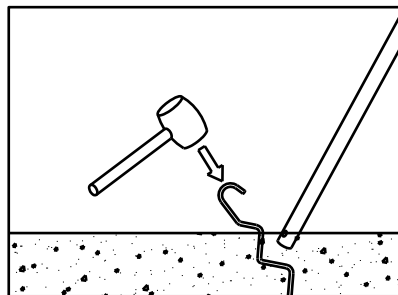
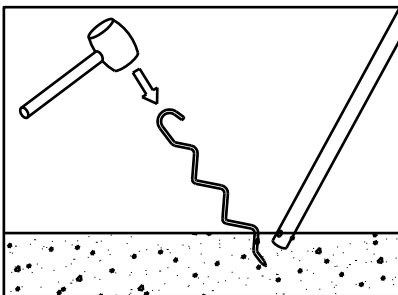
There are different ways of anchoring the equipment, depending on the type of ground on which the equipment is to be installed. Make sure that all anchors are below ground level to prevent tripping.

You should consult your local contractor to decide the most appropriate way to anchor the equipment in your location.

The following anchoring options may be considered:

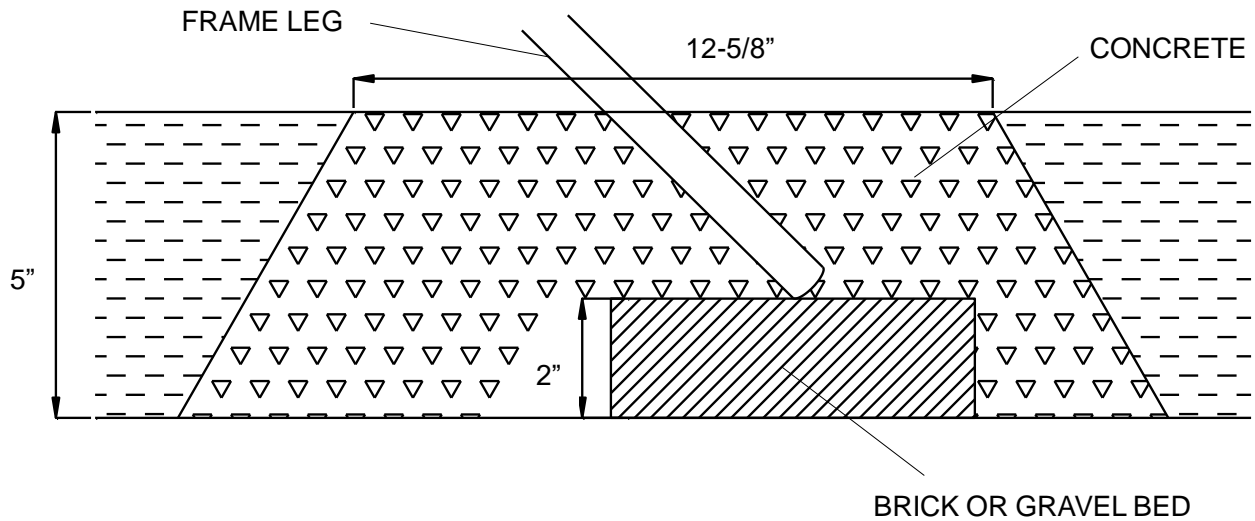
Corkscrew Anchoring (Corkscrew Anchors not included)

- If your soil is hard (clay, etc.), the corkscrew method may be suitable.
- Be sure that the swing set is located on level ground.
- Twist the corkscrew anchor into the ground until only the end with the hook is above the ground and next to the leg. Insert the hook into the bottom opening of the leg. Ensure that the hook is secured onto the leg opening.

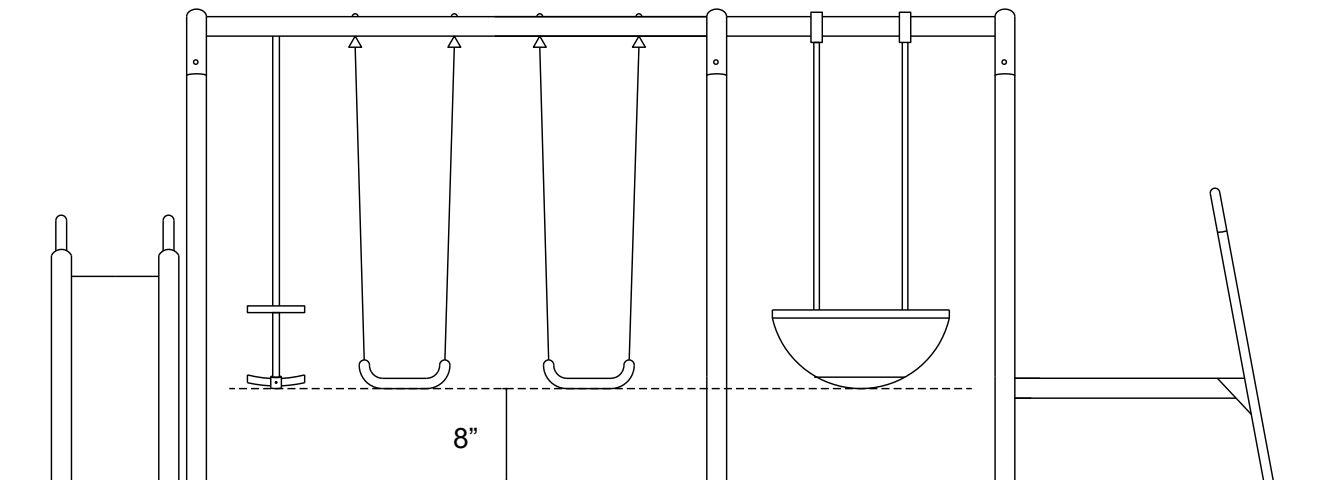


Concrete Anchoring (Materials not included)

- If the swing set is set up on grounds with sandy soil (soft) condition, it must be anchored with concrete footing (concrete not included)
- Be sure that the swing set is assembled and placed on level ground
- Dig holes around swing leg tube, as shown in drawing in the next page. As you dig deeper, enlarge the diameter of the hole to fix the cement
- Place 2 inches of brick or gravel underneath the leg, as shown in drawing in the next page
- Use about 45 lbs. of concrete per leg
- Cover the concrete with dirt and protective surface material
- Allow 6-7 days for the concrete to dry properly



Note: The maximum fall height for this product is 6 feet. The minimum ground clearance between the bottom of the suspended plays and the playing or ground surface must be 8 inches.



You must maintain a minimum of 8 inches of ground clearance.

⚠ WARNING

Please properly anchor the swing set to minimize the risk of injury or death. If the swing set is used without proper anchoring, it may be dangerous and may tilt over.

CARE AND MAINTENANCE CHECKLIST

AT THE BEGINNING OF EACH PLAY SEASON:

- Tighten all hardware.
- Lubricate all metallic moving parts per manufacturer's instructions.
- Check all protective coverings on bolts, pipes, edges, and corners. Replace if they are loose, cracked, or missing.
- Check all moving parts including swing seats, ropes, cables and chains for wear, rust or other deterioration. Replace as needed.
- Check metal parts for rust. If found, sand and repaint using a non-lead paint meeting the requirements of 16 CFR 1303.
- Reinstall any plastic parts, such as swing seats or any other items that were removed for the cold season.
- Rake and check depth of loose fill protective surfacing materials to prevent compaction and to maintain appropriate depth. Replace as needed.

TWICE A MONTH DURING PLAY SEASON:

- Tighten all hardware.
- Check all protective coverings on bolts, pipes, edges and corners. Replace if they are loose, cracked or missing.
- Rake and check depth of loose fill protective surfacing materials to prevent compaction and to maintain appropriate depth. Replace as needed.

ONCE A MONTH DURING PLAY SEASON:

- Lubricate all metallic moving parts per manufacturer's instructions.
- Check all moving parts including swing seats, ropes, cables and chains for wear, rust or other deterioration. Replace as needed.
- Rake and check depth of loose fill protective surfacing materials to prevent compaction and to maintain appropriate depth. Replace as needed.

AT THE END OF EACH PLAY SEASON:

- At the end of each play season or when the temperature drops below 32 degrees F (0 degrees C).
- Remove plastic swing seats and other items as specified by the manufacturer and take indoors or do not use.
- Rake and check depth of loose fill protective surfacing materials to prevent compaction and to maintain appropriate depth. Replace as needed.

As a general rule, maintenance should be performed at any time it is deemed necessary.

DISPOSAL INSTRUCTIONS

- ◆ Please use care when disassembling the equipment, when it is no longer in operational condition. Wear heavy duty working gloves to avoid injuries.
- ◆ Fully disassemble the entire swing and slide sets before disposal. Do not leave partially disassembled parts in areas accessible by children.
- ◆ Should you wish to recycle the steel tubing, please take the frame to your local recycling center.
- ◆ All plastic parts can be recycled, take it to your local recycling center. Do not let children play with any disassembled parts meant for disposal, such as chains, slide, tubing, bolts, nuts, screws, etc.
- ◆ All rusted parts, bolts must be properly disposed of in trash bin. Do not reuse.

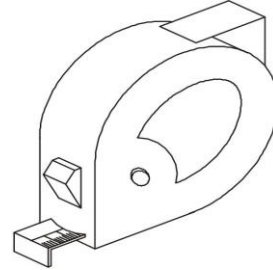
Owners shall be responsible for maintaining the legibility of the warning labels.

TOOLS NEEDED

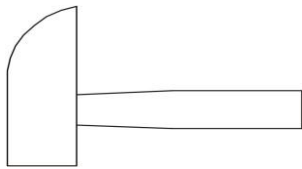
Please prepare the following tools
prior to assembling this equipment.



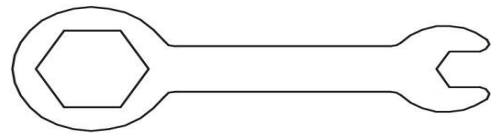
**Special Socket Wrench
(Included)**



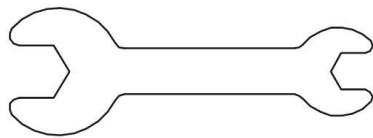
**Tape Measure
(Not included)**



**Hammer
(If you intend to install anchor, this is needed)**



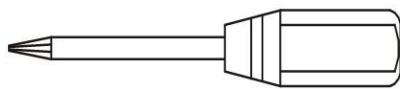
**Wrench
(Included)**



**Wrench
(Included)**



**Big Allen Wrench
(Included)**



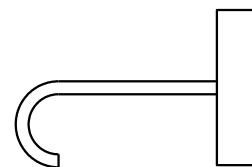
**Flat Head and Philips Head Screwdriver
(Not included)**



**Medium Allen Wrench
(Included)**


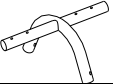



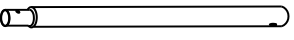
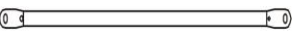
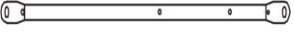


**Small Allen Wrench
(Not Included)**

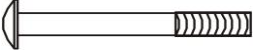

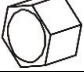




**Spring Loading Tool
(Included)**




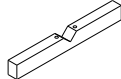

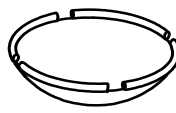

Part list for main frame assembly

A1		CORNER TOP BAR	2
A2		MIDDLE TOP BAR	1
A3		TOP BAR	1
A4		TOP BAR	1
A5		LEG WITH FOAM	2
A6		LEG (WITH THREE HOLES)	4
A7		CROSS BAR (WITH TWO HOLES)	1
A8		CROSS BAR (WITH FOUR HOLES)	1



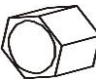

Hardware used for main frame assembly

B1		BOLT 5/16''*2.5'' (8MM*65MM)	18
B2		5/16'' WASHER	4
B3		NYLON NUT 5/16''	18
B4		PLASTIC CAP (WITH ARC WASHER)	18
B5		5/16'' ARC WASHER	14


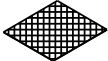


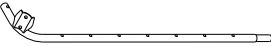


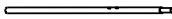
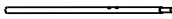
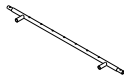

Part list for flying saucer assembly

R1		PVC COVERED CHAIN (PRE-ASSEMBLED)	4
R2A		LONG EYE BOLT WITH CHAIN (PRE-ASSEMBLED)	4
R2B		SHORT EYE BOLT WITH CHAIN (PRE-ASSEMBLED)	4
R3		BRACKET	2
R4		FLYING SAUCER TUBE	4
R7		FLYING SAUCER	1
R8		BRACKET CLAMP	2

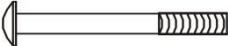
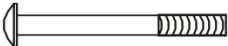


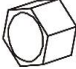
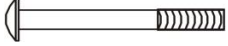
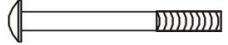

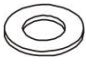


Hardware used for flying saucer assembly

F1-1		BOLT 3/8"*3.3" (9.5MM*85MM)	4
F2		REINFORCING STEEL SPACER	8
F3		NYLON NUT 3/8"	12
F4		3/8" ARC WASHER	4

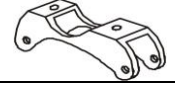


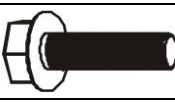

Part list for trampoline assembly

T1		PROTECTIVE NET	1
T2		JUMP MAT	1
T3		FRAME PAD	1
T4A-N		L-SHAPED TUBE (LEFT)	1
T4B-N		L-SHAPED TUBE (RIGHT)	1
T5-N		STRAIGHT TUBE	1
T6-N		HANDLE BAR WITH FOAM	1
T7A-N		HANDLE BAR BASE TUBE(LEFT)	1
T7B-N		HANDLE BAR BASE TUBE(RIGHT)	1
T8		SUPPORTING TUBE	1
T9		SPRINGS	28


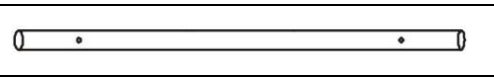

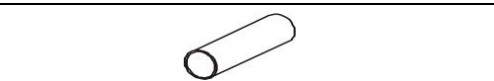

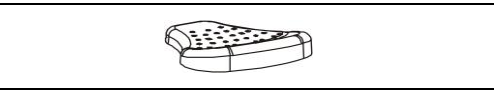

Hardware used for trampoline assembly

T10		BOLT 5/16"*63MM	2
T11		BOLT 5/16"*40MM	2
T12		ARC WASHER 5/16"	4
T13		CAP NUT 1/4"	4
T14		NYLON NUT 5/16"	4
T15		BOLT 1/4"*42MM	2
T16		BOLT 1/4"*35MM	2
T17		SCREW M5*16MM	2
T18		SPRING WASHER (MEDIUM)	4
T19		ARC WASHER 1/4"	8
T20		SPRING WASHER (SMALL)	2


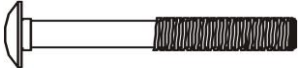

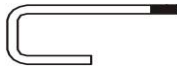



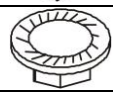


Bracket used for glide ride assembly

L3		BRACKET	1
L4		BRACKET CLAMP	1
L5		REINFORCING STEEL SPACER	2
N3R		BOLT 5/16"*1" (8MM*25MM)	2
N7		NYLON NUT 5/16"	2

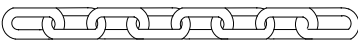


Part list for glide ride assembly

L1-N		TOP SECTION HANGER	2
L2-N		GLIDE SEAT SUPPORT	2
M1		TUBE CAP(PRE-ASSEMBLED)	2
M2		SMALL NYLON BEARING (PRE-ASSEMBLED)	2
M3		LARGE NYLON BEARING (PRE-ASSEMBLED)	4
M4		GLIDE SEAT	2
M5		FOOTREST	2



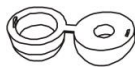

Hardware used for glide ride assembly

N1		BOLT 1/4" * 1.5" (6.5MM * 37MM)	4
N2R		BOLT 1/4" * 1.7" (6.5MM * 43MM)	2
N4		SCREW 0.22" * 3/4" (5.5MM * 19MM)	4
N5		J-BOLT	2
N6		SPRING WASHER (MEDIUM)	4
N8		CAP BOLT 1/4" * 5/10" (6.5MM * 14MM)	2
N9		CAP NUT 1/4"	4
N10		NUT 1/4"	2
N11		SPRING WASHER (LARGE)	2
N12		SPRING WASHER (MEDIUM)	4



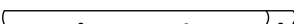
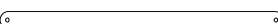


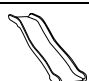
Part list for swing seat assembly

J1		PVC COVERED CHAIN (PRE-ASSEMBLED)	4
J3		EYE BOLT WITH ATTACHMENT BOLT (PRE-ASSEMBLED)	8
K1		SWING SEAT	2

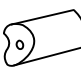
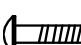
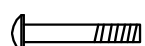


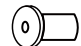

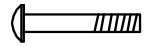
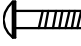

Hardware used for swing seat assembly

J6		NYLON NUT 5/16"	8
J7		5/16" WASHER	4
J8		PLASTIC CAP (WITH ARC WASHER)	4
J9		PLASTIC CAP (WITH LARGE WASHER)	4

Parts used for slide assembly

X1-N		SLIDE SUPPORT (WITH OPENING)	1
X2-N		SLIDE SUPPORT	1
X3-N		SLIDE LEG TUBE	2
X4-N		SLIDE TOP SUPPORT BAR	1
X5-N		SLIDE FRONT SUPPORT	1
X6		SLIDE LADDER STEPS	2
Y2		SLIDE	1

Hardware used for slide assembly

Y1		PLASTIC CONNECTOR	2
Z1		BOLT 1/4" x 38mm	2
Z2		BOLT 1/4" x 115mm	2
Z3		SPRING WASHER (LARGE)	4
Z4		CAP NUT 1/4"	6
Z5		CAP BOLT 1/4" x 14mm	4
Z6		SPRING WASHER (MEDIUM)	20
Z7		BOLT 1/4" x 75mm	2
Z8		BOLT 1/4" x 36mm	4
Z9		BOLT 1/4" x 46mm	4

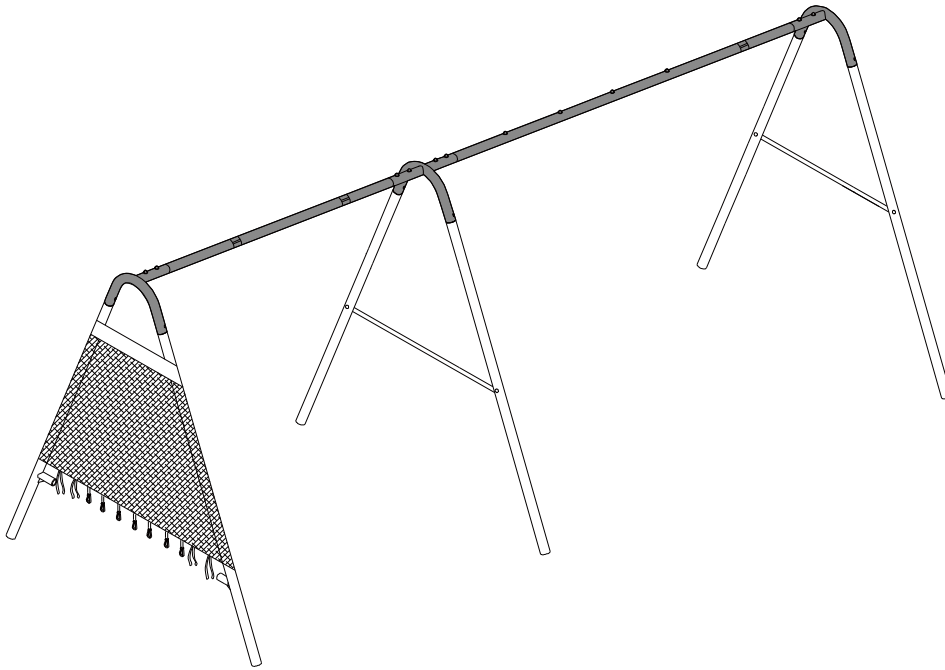
ASSEMBLY INSTRUCTIONS

- Place the playground equipment on level ground and not less than 6ft (1.8m) from any structure or obstruction such as a fence, garage, house, overhanging branches, laundry line, or electrical wires.
- Do not install the playground equipment over concrete, asphalt, packed earth, or any other hard surface; a fall onto a hard surface can result in serious injury or death to the equipment user.
- **Adequate overhead clearance is essential.** A minimum clearance from ground level shall be recommended. Provide clearance for wires, tree limbs, and other possible hazards.
- Use the product in a well-lit area. Artificial illumination may be required for shady areas.
- Secure the product against unauthorized and unsupervised use.
- The owner and supervisors of the product are responsible to make all users aware of practices specified in the use instructions.

TIGHTENING NUTS & BOLTS

- For ease of installation, do not over-tighten the nuts and bolts when you are first putting the equipment together. This will allow for some possible adjustments during installation.
- Once you have finished assembling each component of the play set, make sure to go back over each step and properly tighten all nuts, bolts and plastic caps. Check the entire unit to ensure all parts are properly assembled before allowing children to use the playground equipment.

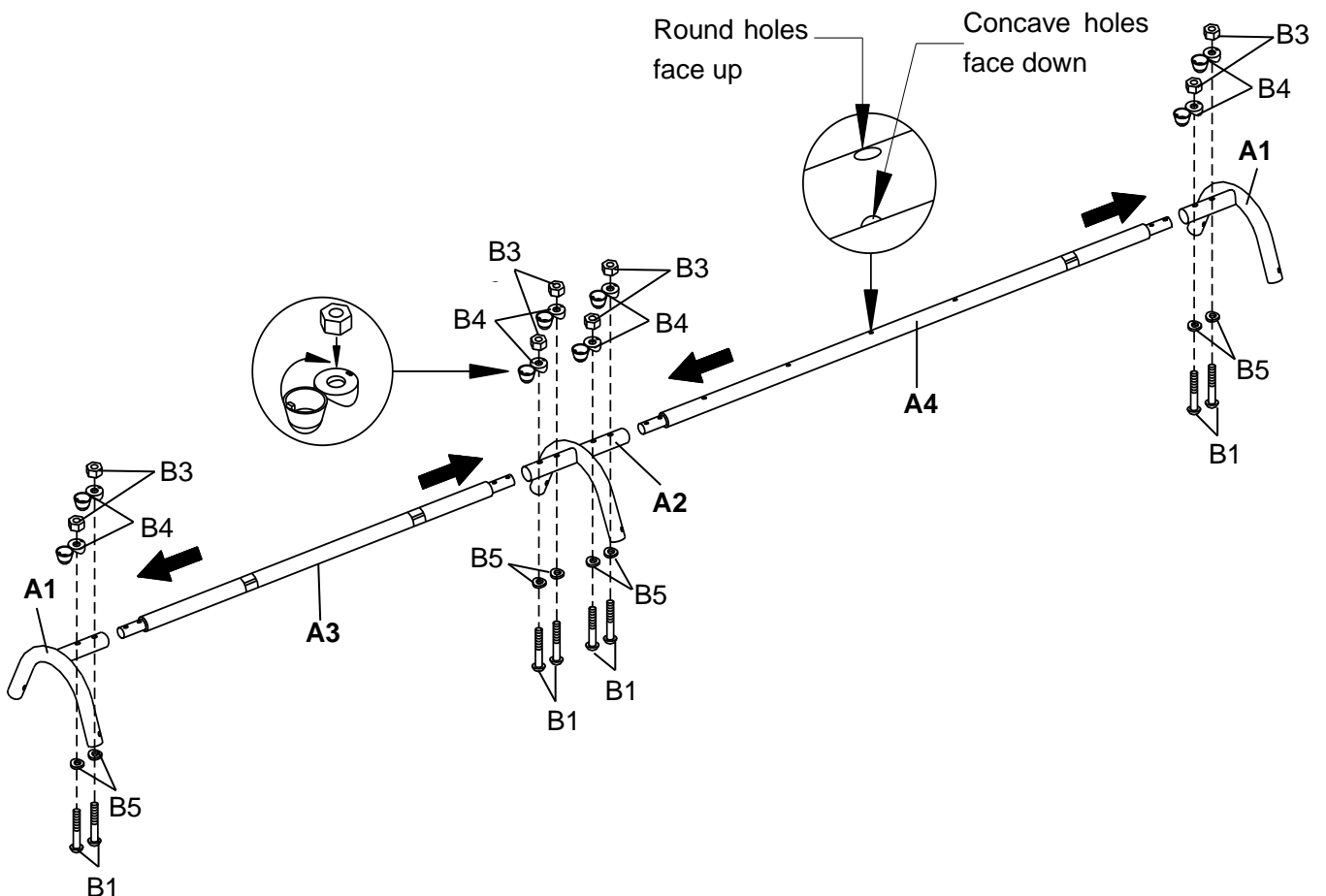
REFERENCE FOR LOCATION OF INSTALLATION



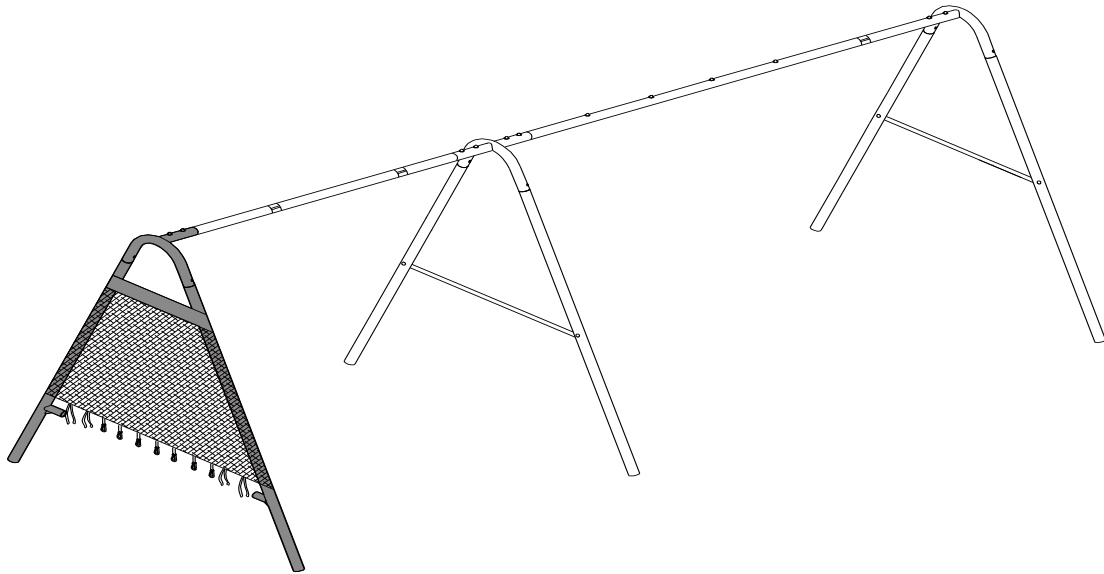
STEP 1 – Assemble the top bar frame of the swing set

➤ Connect A1, A3, A2, A4 and A1 and secure with B1, B5, B4 and B3 as shown below.
Note: All round holes should be facing up and concave holes facing down.

IMPORTANT NOTE: A3 is not symmetrical. The end of A3 with the smaller section must be attached to A1, on the outer side of the equipment.

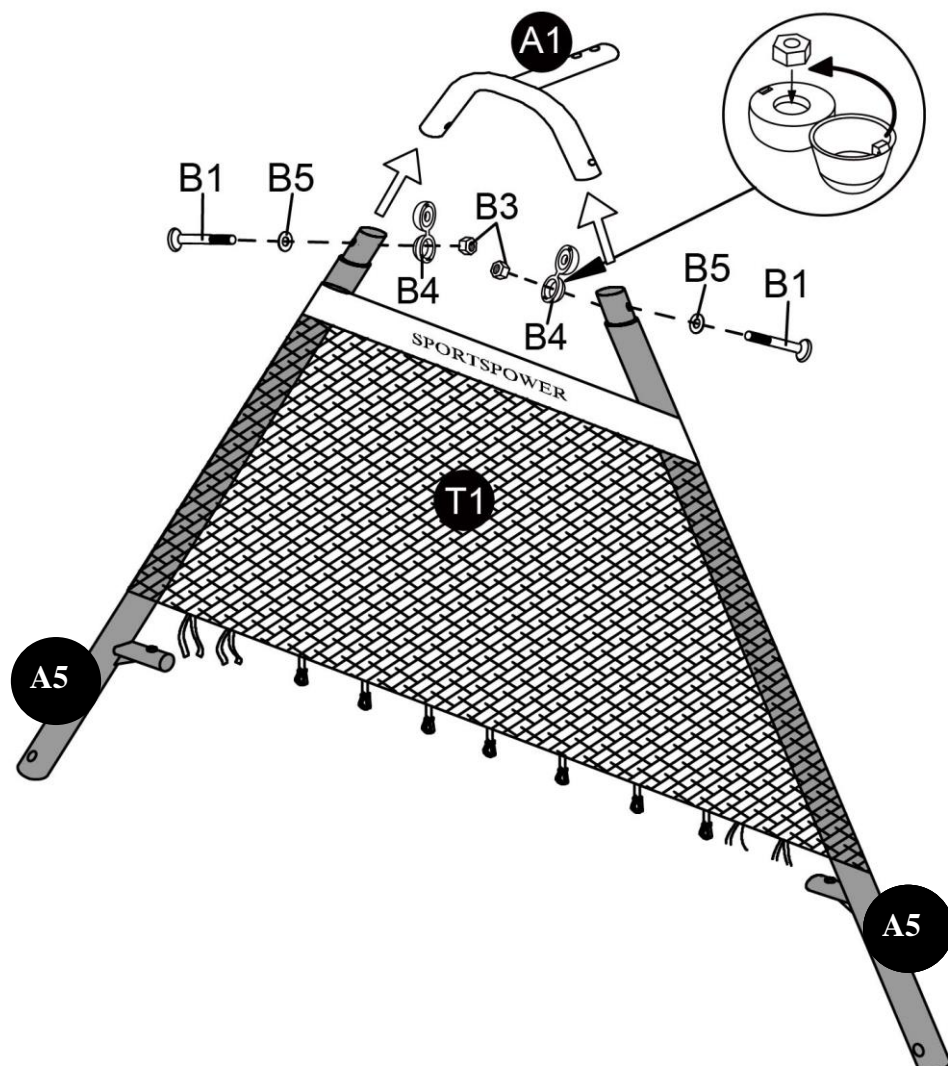


REFERENCE FOR LOCATION OF INSTALLATION

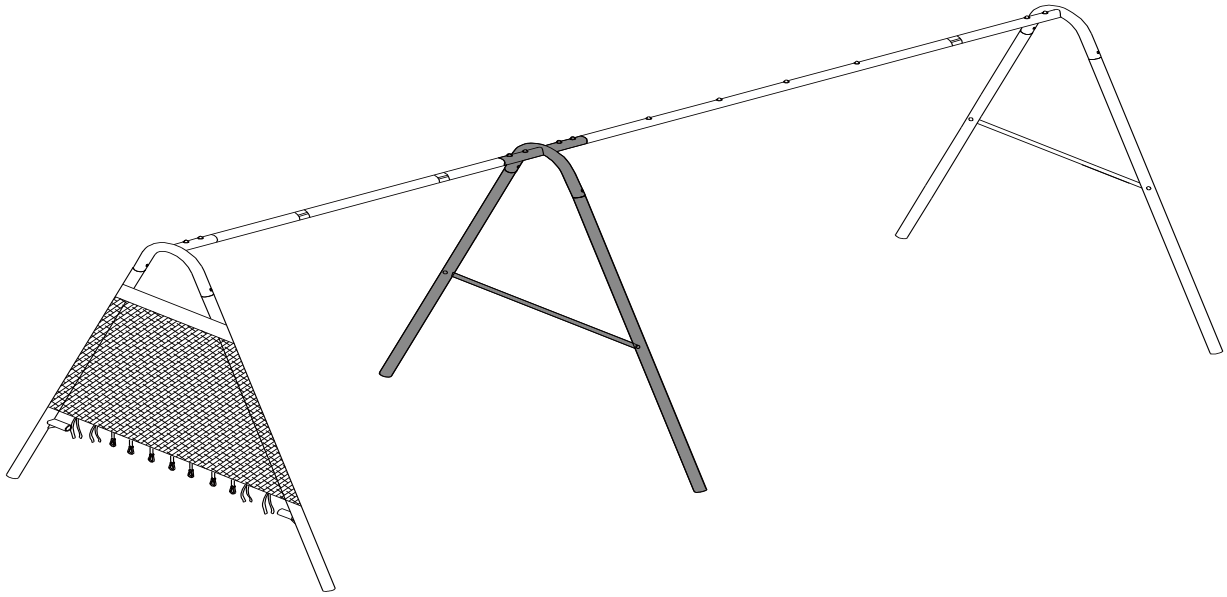


Step 2 – Assemble the side of swing set with trampoline attachment

- Insert small end of A5 into the sleeves of T1.
- Connect Leg with Foam (A5) to A1 using B1, B5, B4 and B3 as shown below.

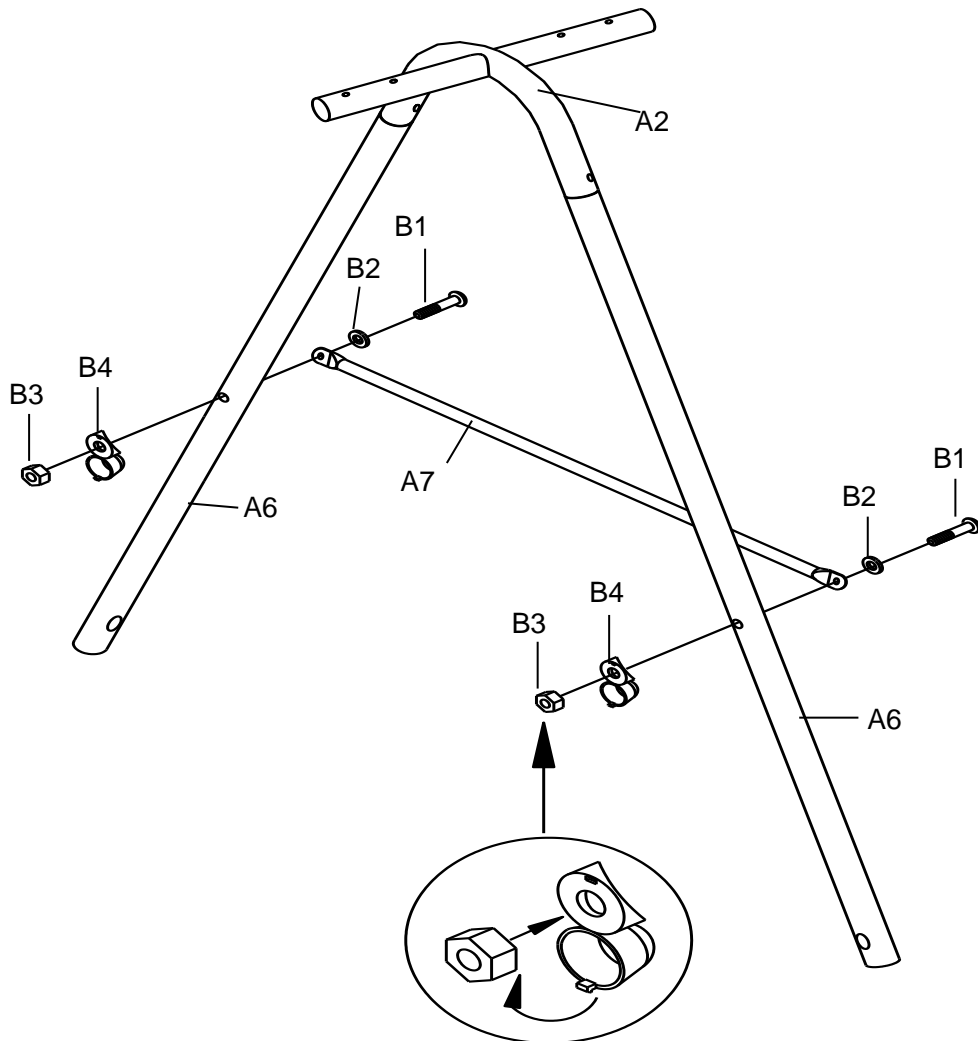


REFERENCE FOR LOCATION OF INSTALLATION

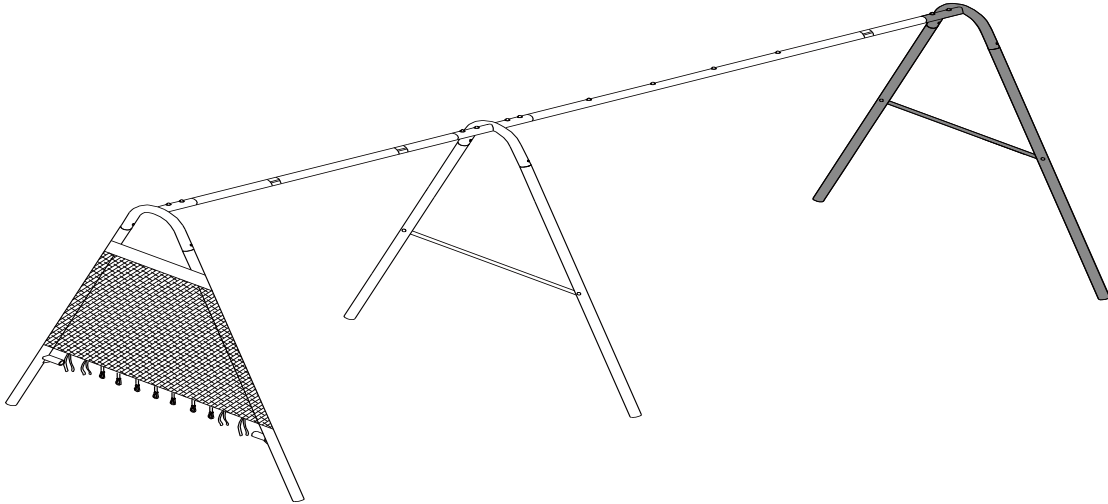


STEP 3 – Assemble the center support legs of the swing set

- Connect A6 to A2 using B1, B5, B4 and B3. **(NEED TO DRAW SCREWS)**
- Connect A7 to A6 using B2, B6, B4 and B3.



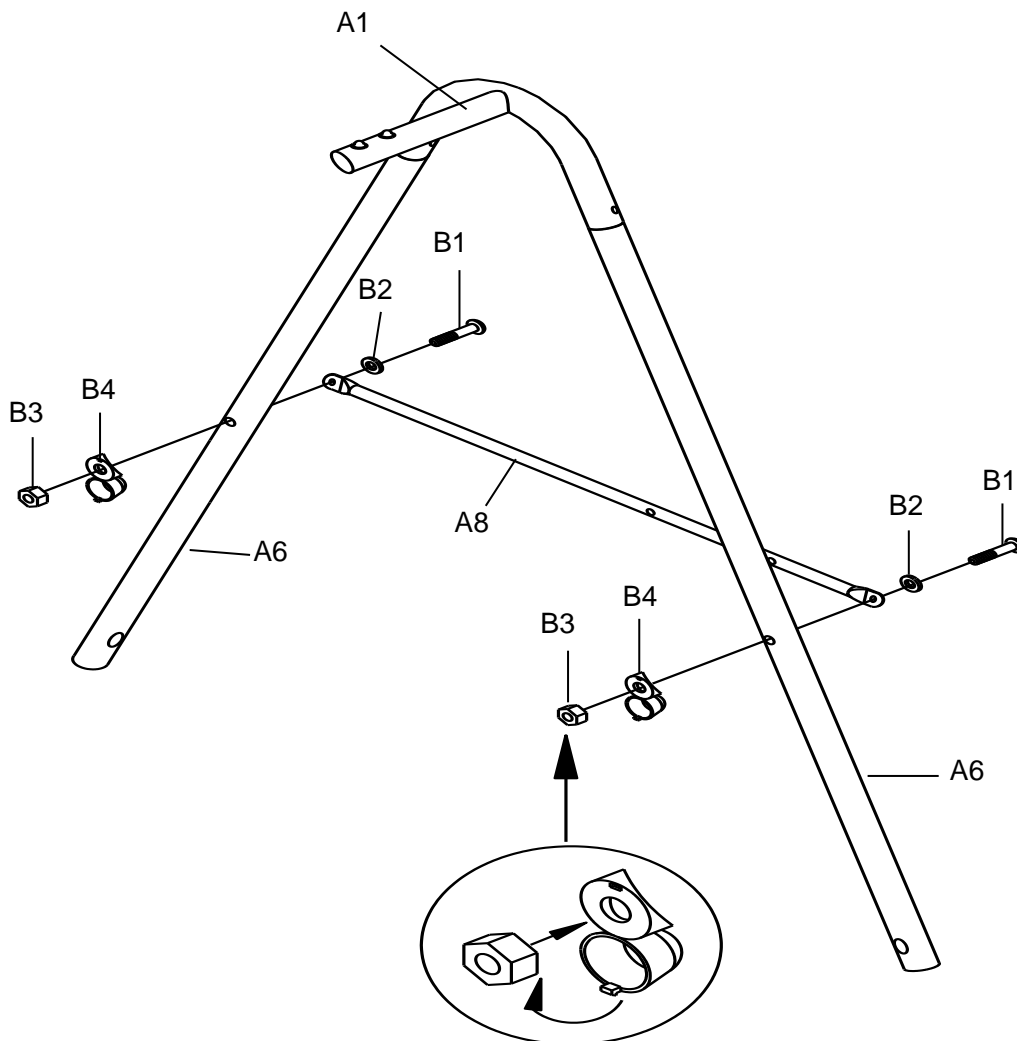
REFERENCE FOR LOCATION OF INSTALLATION



STEP 4 – Assemble the outer support legs of swing set

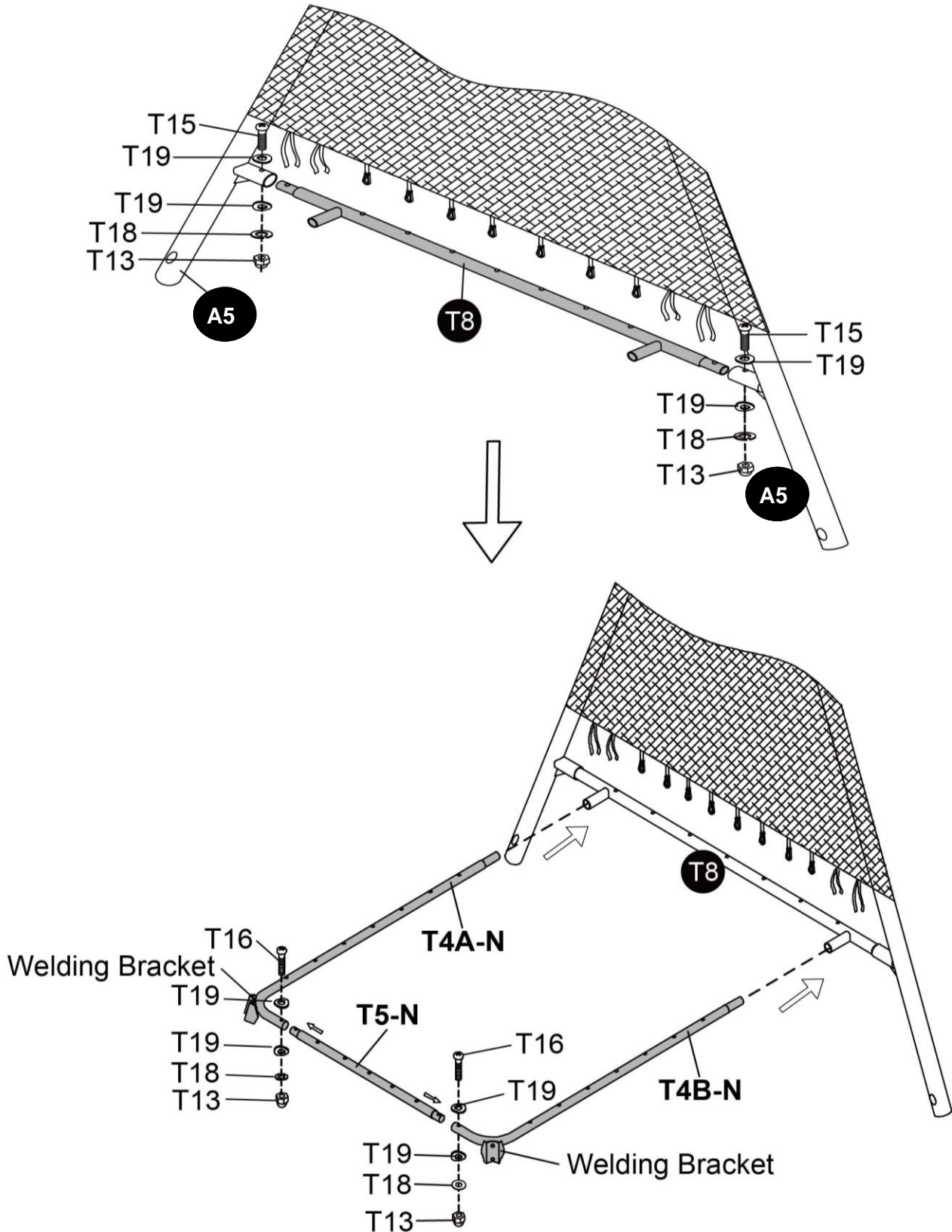
- Connect A6 to A1 and secure using B1, B5, B4 and B3. **(NEED TO DRAW SCREWS)**
- Attach A8 to the outer side of A6 and secure using B2, B6, B4 and B3.

IMPORTANT NOTE: The 2 holes on A8 will be used for connecting the slide in later steps. Please make sure the holes are placed towards the front where the slide will be facing.



STEP 5 – Attach the trampoline frame to the swing set

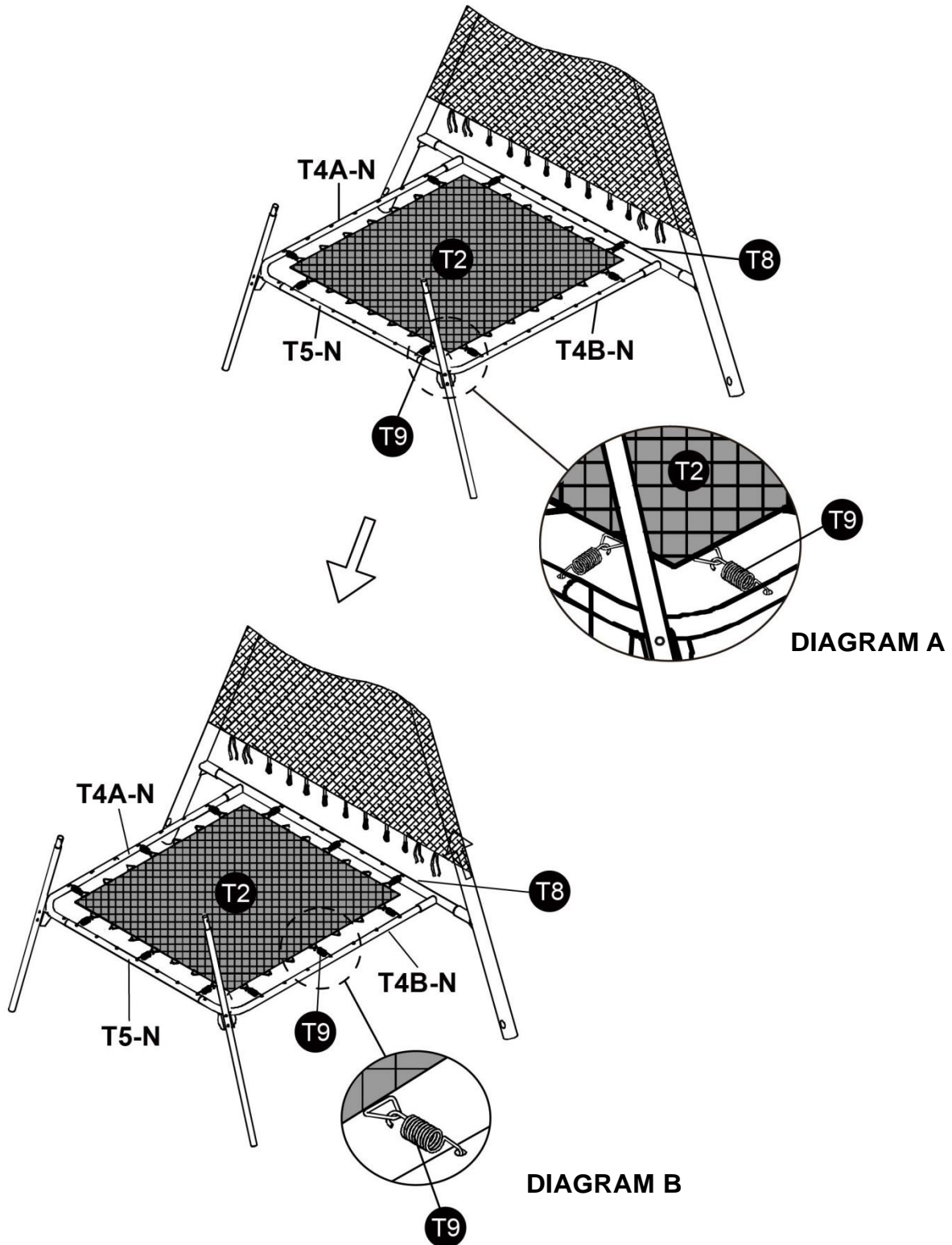
- Insert the ends of T8 into the sockets of A5. Align the holes and secure using T15, T19, T18 and T13 as shown.
- Connect T4A-N, T4B-N and T5-N using T16, T19, T18 and T13 and insert the ends of T4A-N and T4B-N into the sockets of T8 as shown below.



STEP 6 – Attach the trampoline frame legs

- Align the holes on the trampoline frame legs (T7A-N and T7B-N) to the welding brackets on the corner of the assembled trampoline frame. Secure the top hole using T10 (which is longer than T11), T12 and T14. Secure the lower hole using T11, T12 and T14.

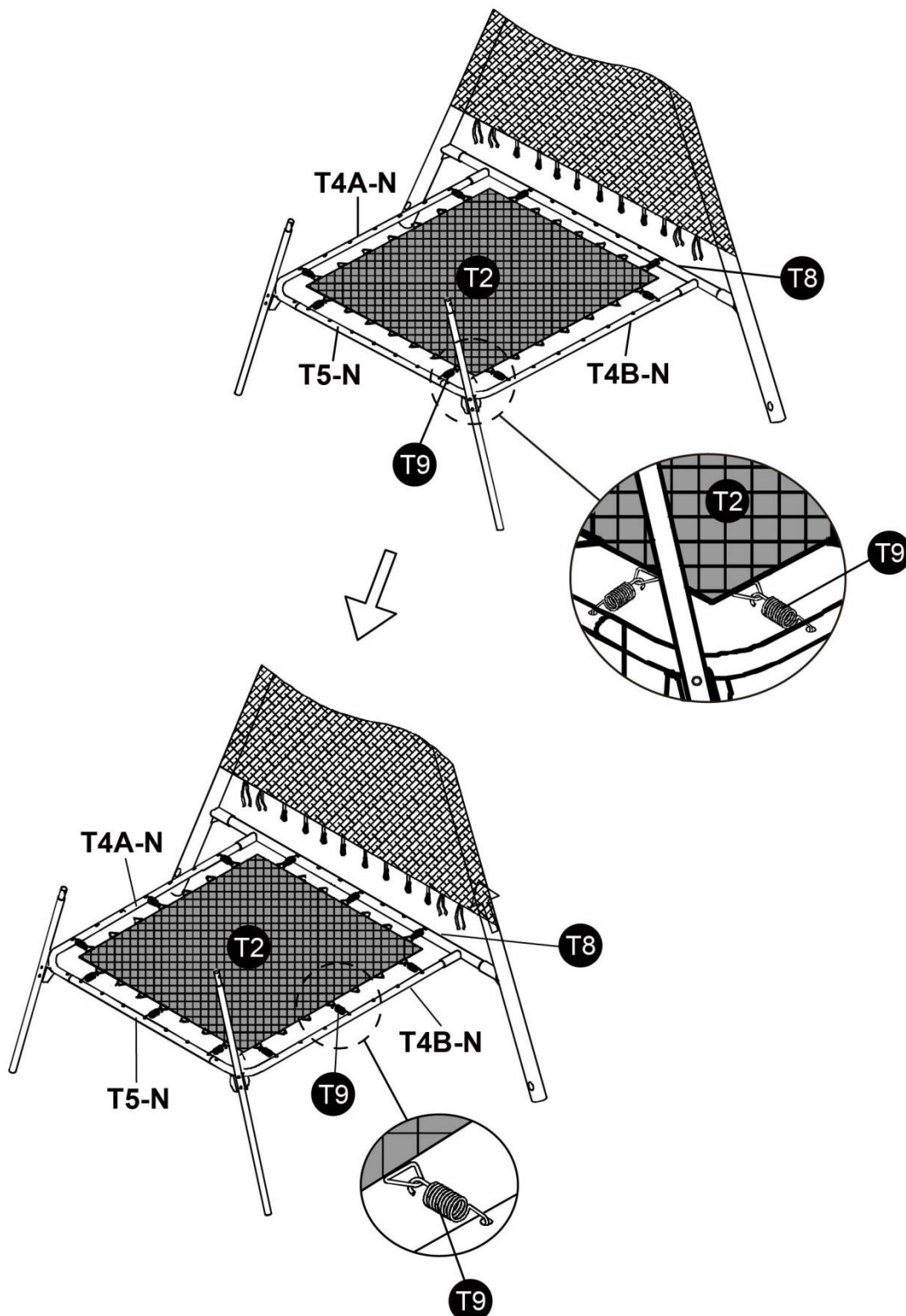
IMPORTANT: Make sure the holes located at the top of the trampoline legs are facing outward.



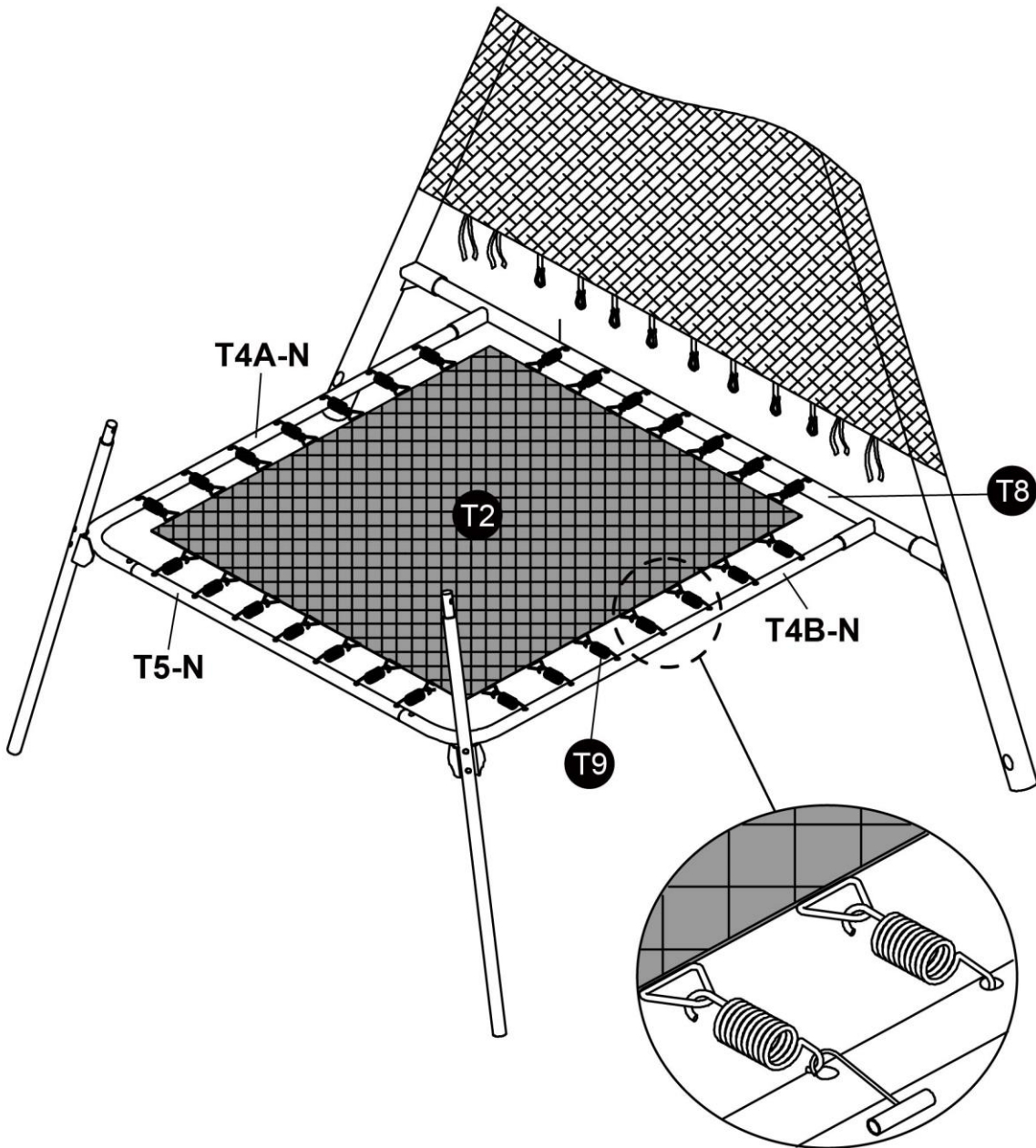
STEP 7 – Attach the jump mat

IMPORTANT: Make sure to wear heavy duty gloves to protect your hands from pinching and goggles to protect the eyes from injuries during installation of the springs.

- Lay out T2 (Jump mat) in the center of the frame and install spring (T9) to the four corners as shown in DIAGRAM A. Connect one end of the spring into the triangle ring on the mat, pull the other end of the spring using the Spring Loading Tool and latch it into the corresponding hole on the frame. Make sure it is securely latched.
- Repeat in the same manner to attach springs to the mid-point of the four sides of frame as shown in DIAGRAM B.



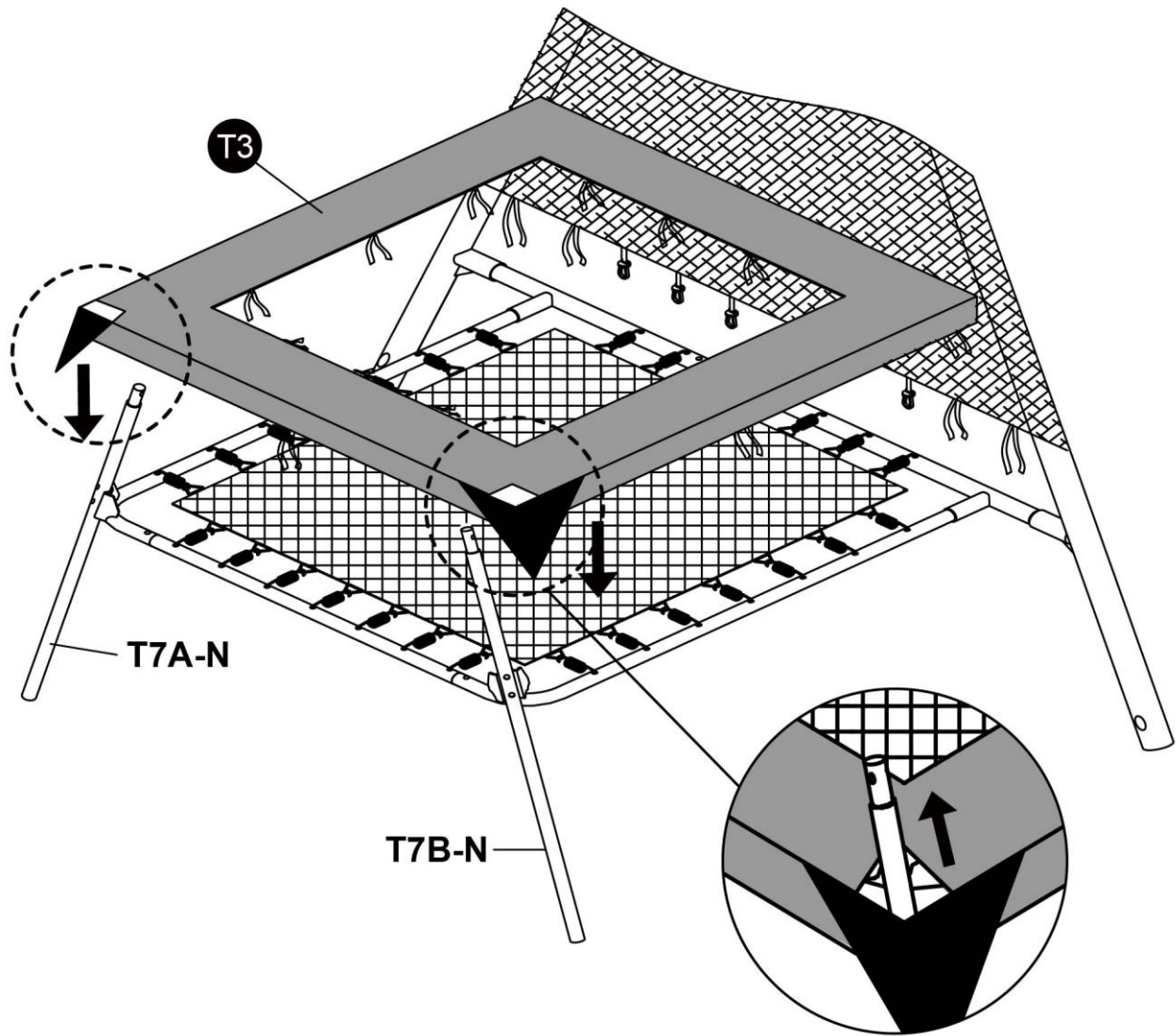
- Continue to install all remaining springs in the same manner until the mat is full installed as shown below.



STEP 8 – Attach the Frame Pad

- Pull the Frame Pad (T3) through the trampoline legs and fully cover all springs and trampoline frame.

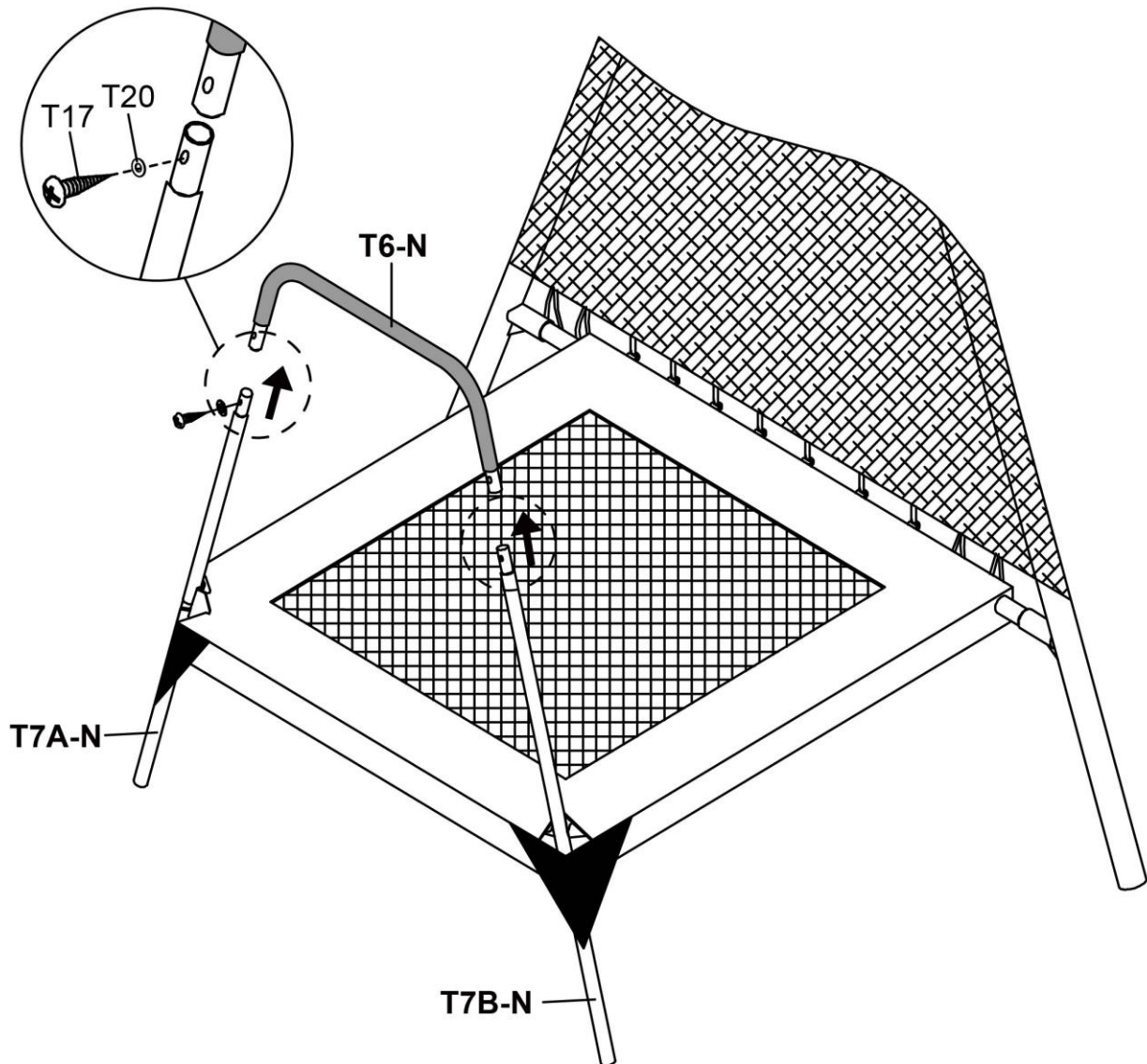
IMPORTANT: Make sure all metal parts are covered to avoid injuries from body contact.



ENLARGED DIAGRAM

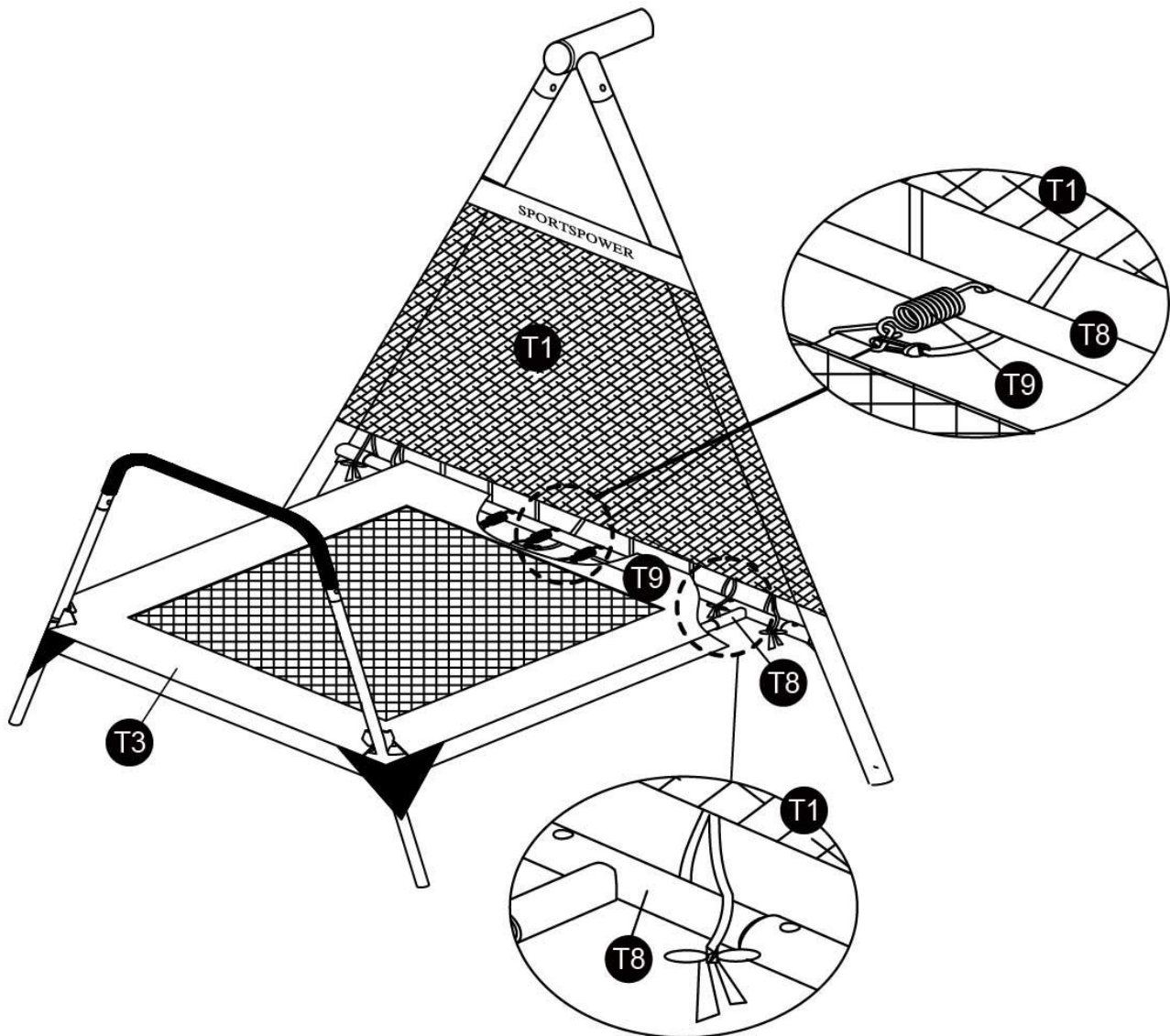
STEP 9 – Attach the handle bar with foam to trampoline frame legs

- Connect Handle Bar with Foam (T6-N) to T7A-N and T7B-N. Align holes and secure using T17 and T20.



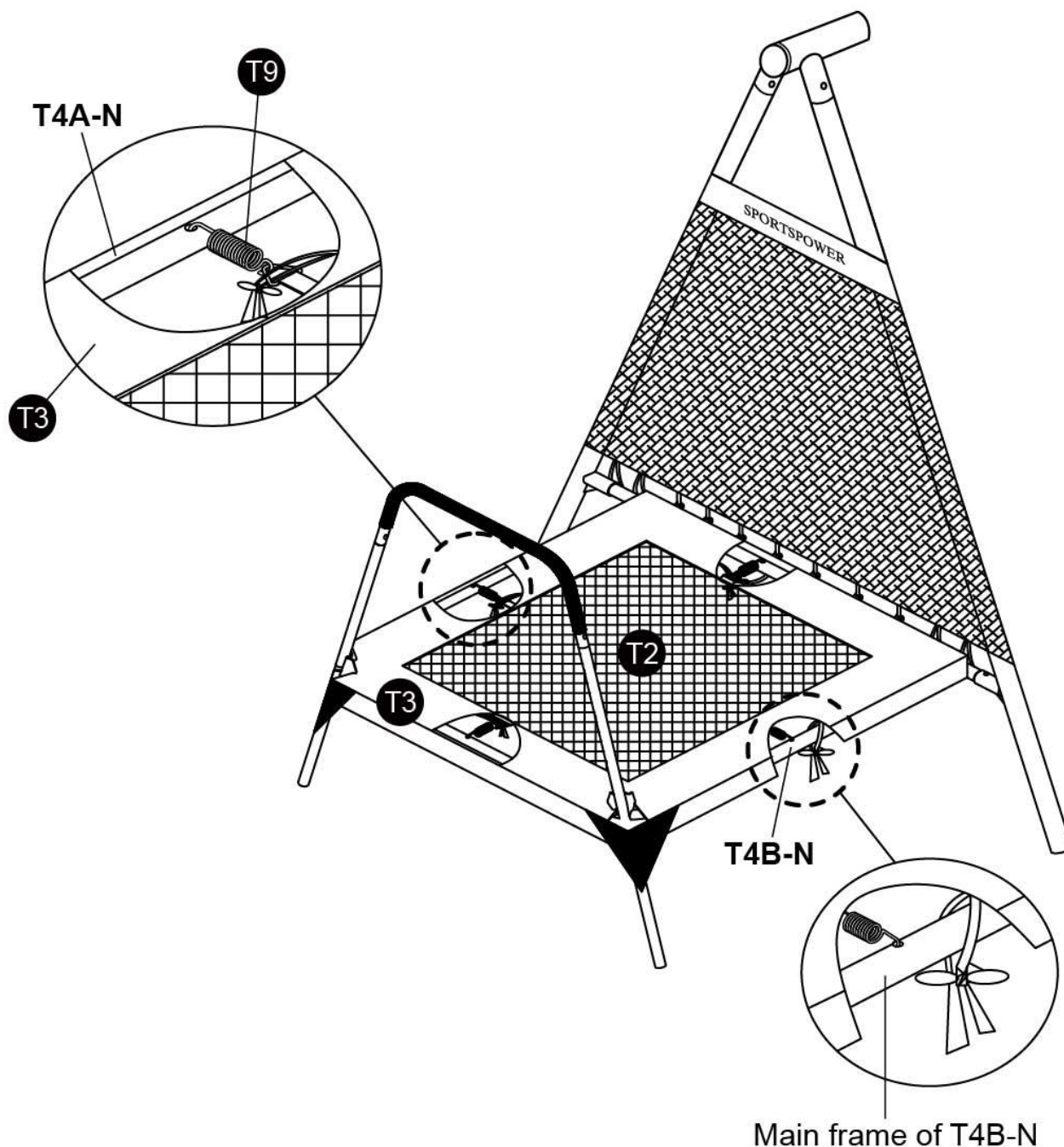
STEP 10 – Secure the jump mat to the swing set

- Pull the hook with elastic band (stitched onto T1) under T8 and attach the hook to the triangle ring underneath the pad as shown.
- Tie the straps which are sewn on T1 around T8 as shown.



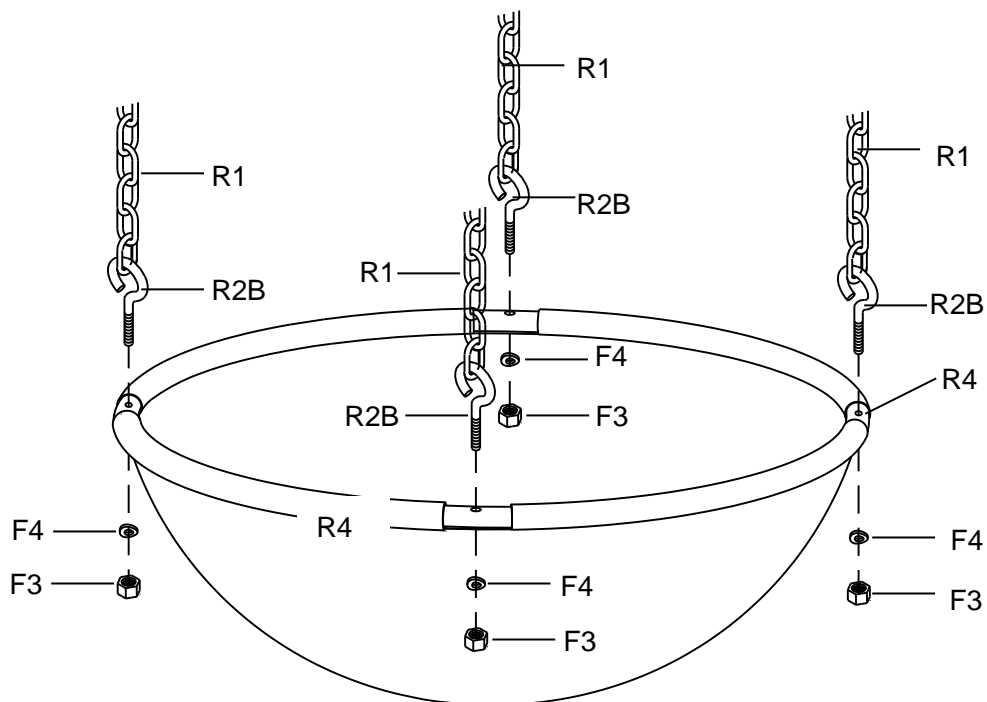
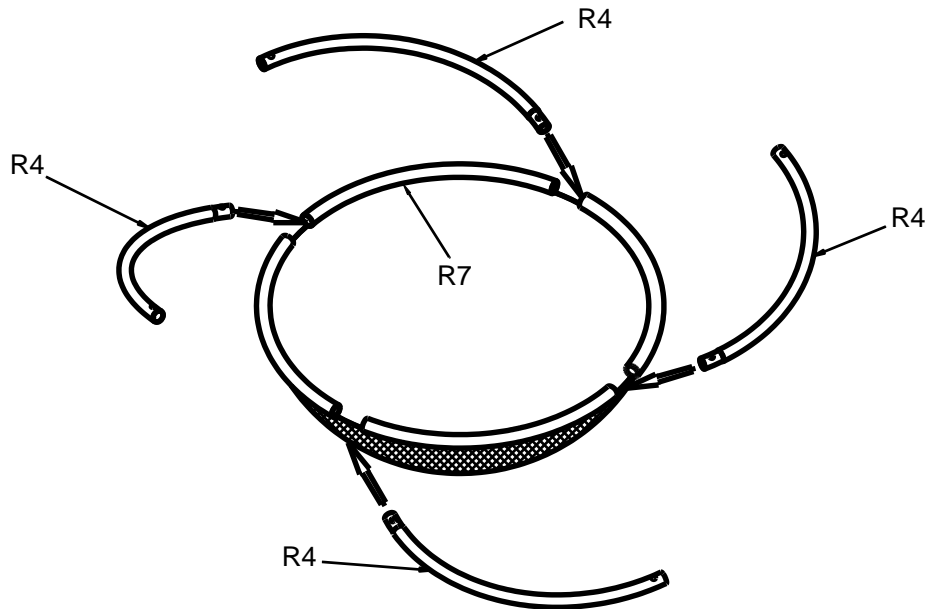
STEP 11 – Secure the jump mat to the frame

- Loop the straps located beneath the jump pad through the nearest triangle rings and securely tie a bow knot as shown. Make sure all straps are securely fastened and the jump pad is fully covering all metal parts.
- Wrap all outer elastic straps around jump frame and tie in the same manner as shown.



STEP 12 – Flying Saucer Assembly

- Slide the smaller ends of R4 tubes into the pockets of Flying Saucer (R7). Connect the four tubes together. Align the holes with the round holes face down.
- Connect the chain (R1) to the flying saucer by inserting R2B and securing with F3 and F4 as shown below.



STEP 13 – Attach Flying Saucer to the Swing Set Frame

- Attach R8 and R3 to the top bar using F2, F3 and F1-1 as shown in Diagram A.
- Insert R2A (pre-assembled with R1) into R3 and secure with F2 and F3 as shown in Diagram B.

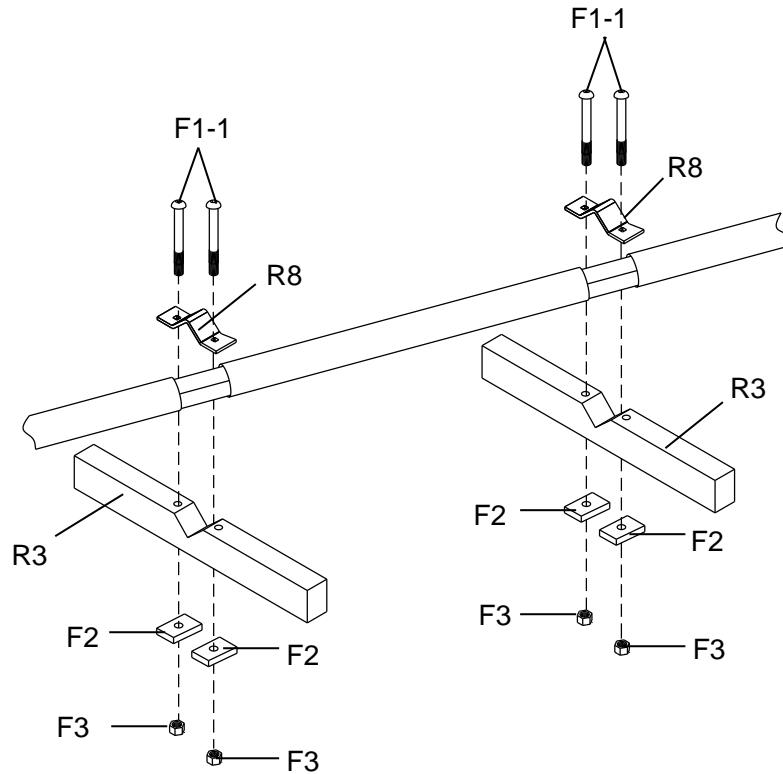


DIAGRAM A

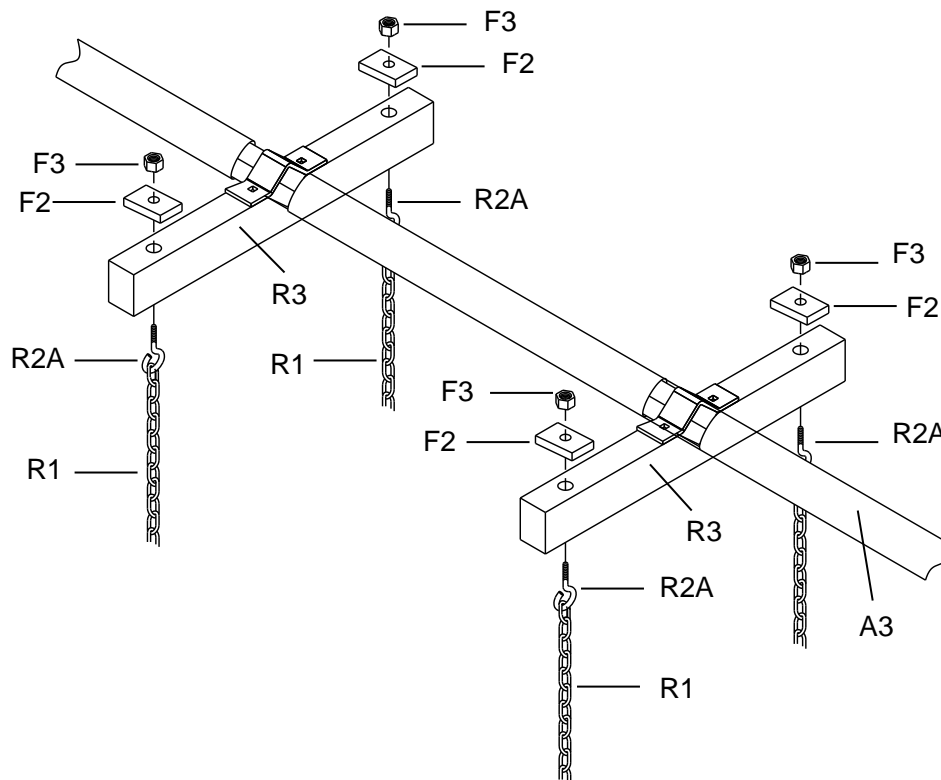


DIAGRAM B

STEP 14 - Swing Seat Assembly

- Connect swing set chains to the top bar by inserting J3 through A4 and securing with J8 and J6 as shown in Diagram A.
- Connect swing seat to the chains by inserting J3 through K1 and secure with J7, J9 and J6 as shown in Diagram B.

DIAGRAM A

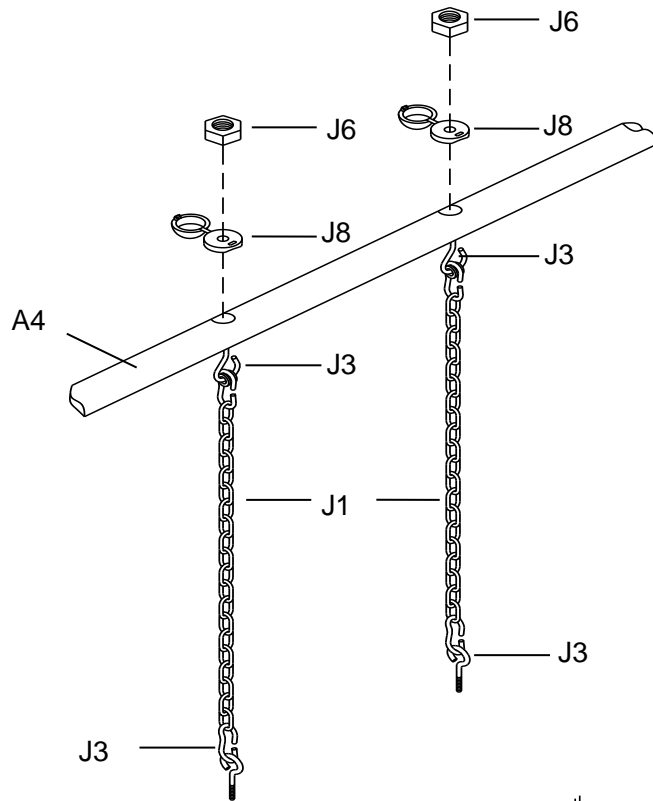
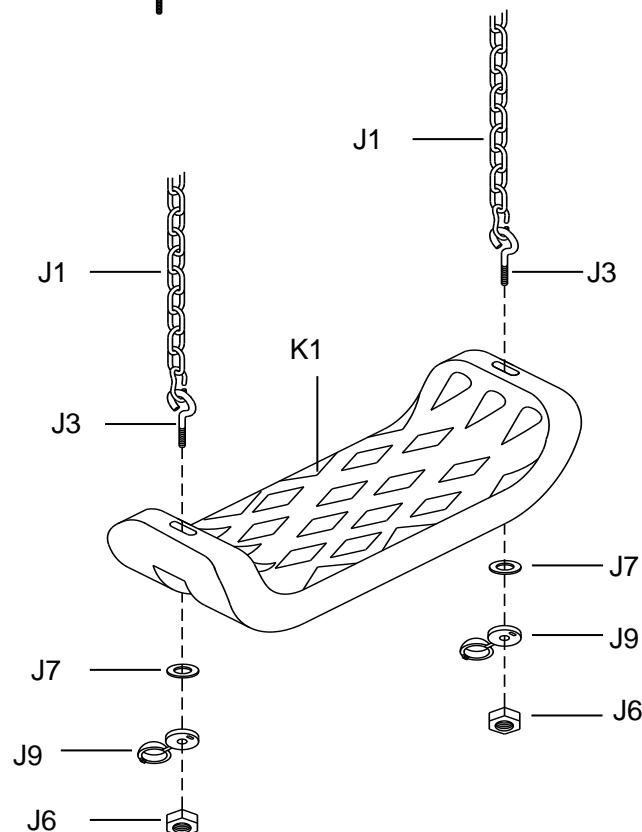
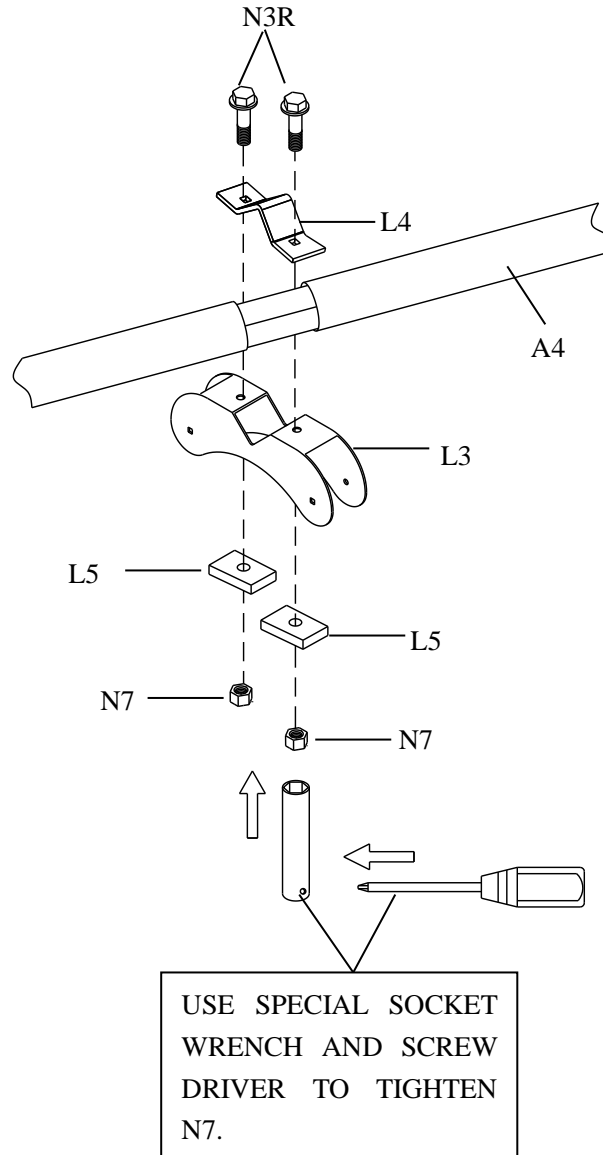


DIAGRAM B



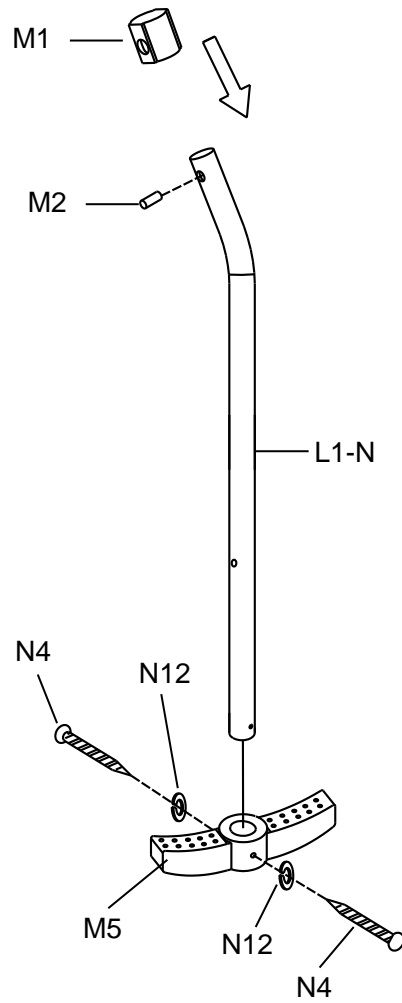
STEP 15 - Glide Ride Assembly

- Attach L4 and L3 to A4 using N3R, L5 and N7 as shown. Use special socket wrench and screw driver to tighten N3R and N7.



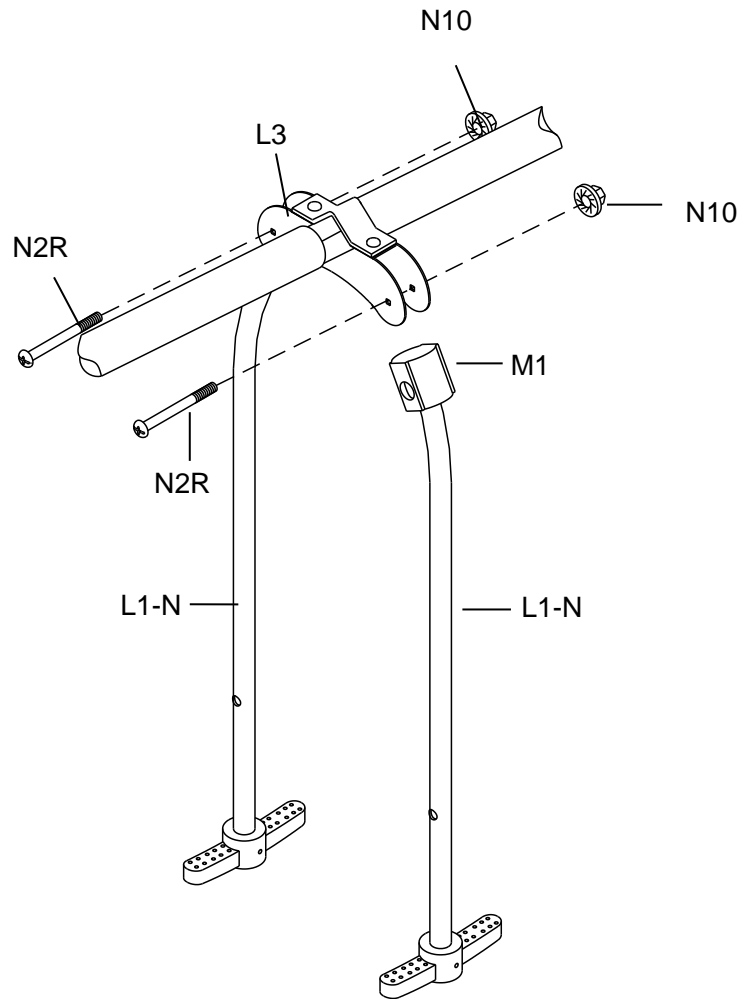
STEP 16 – Glide ride assembly (continued)

- Insert L1-N (straight end) into M5 and secure with N4 and N12 on both sides.
- Attach M1 to the top of L1-N (curved end). Align holes and insert M2.



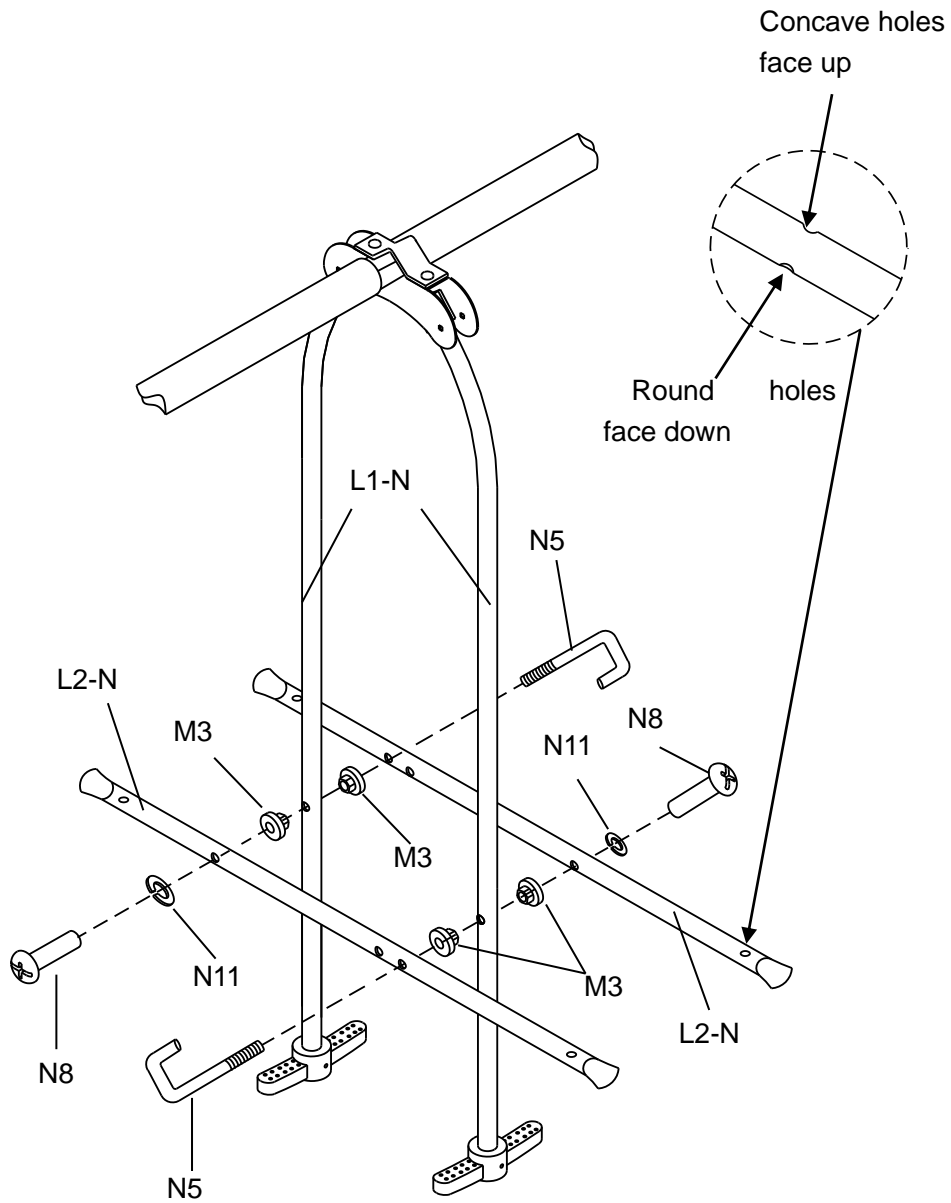
STEP 17 – Glide ride assembly (continued)

- Attach L1-N to L3 on both sides and secure with N2R and N10.



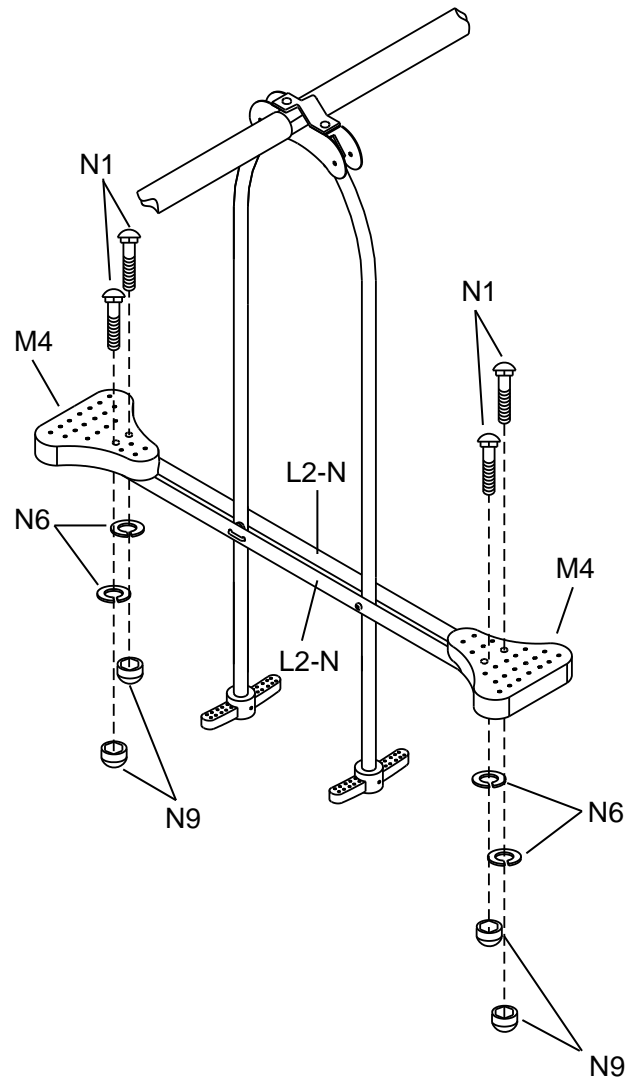
STEP 18 – Glide ride assembly (continued)

- Attach L2-N to L1-N on both sides and secure with N5, M3, N11 and N8.



STEP 19 – Glide ride assembly (continued)

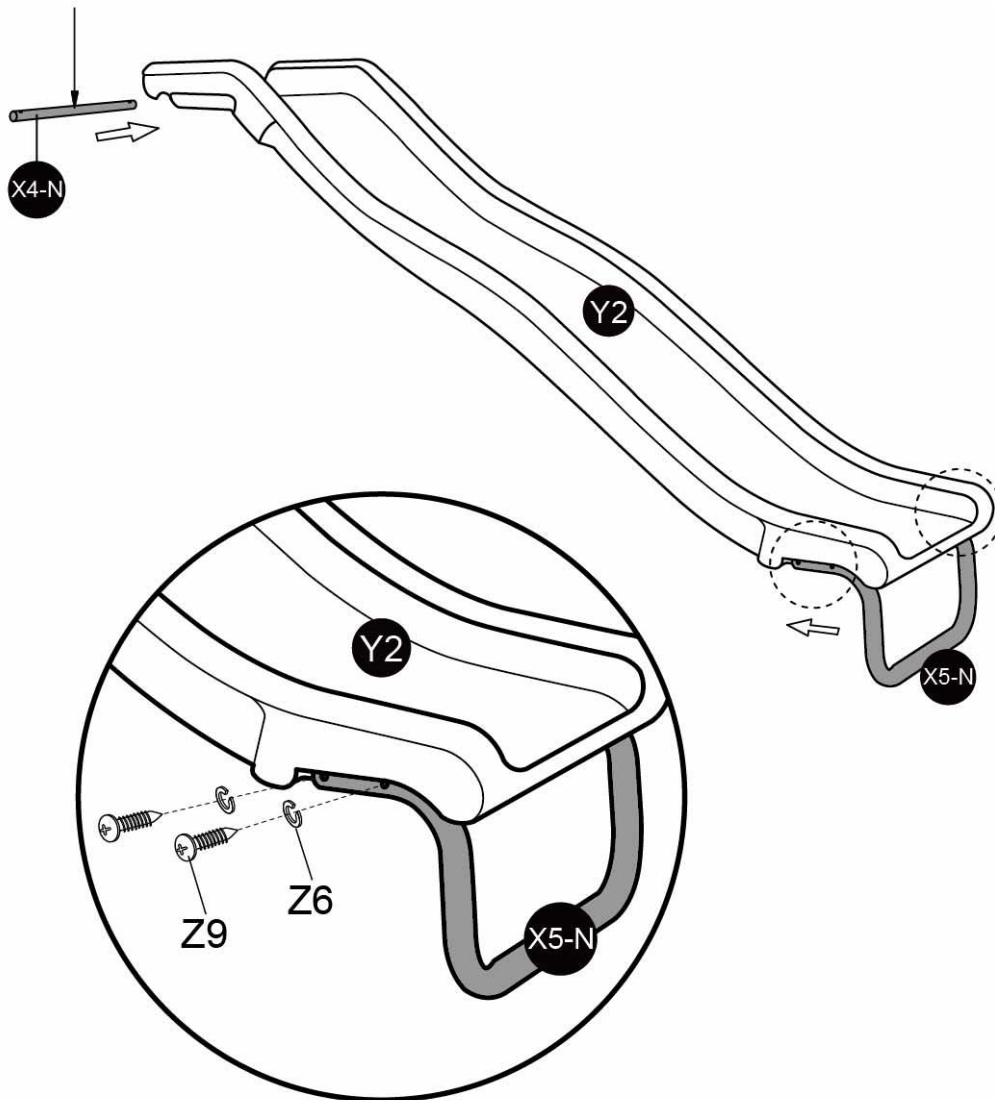
- Attach M4 to L2-N and secure with N1, N6 and N9.



STEP 20 - Slide assembly

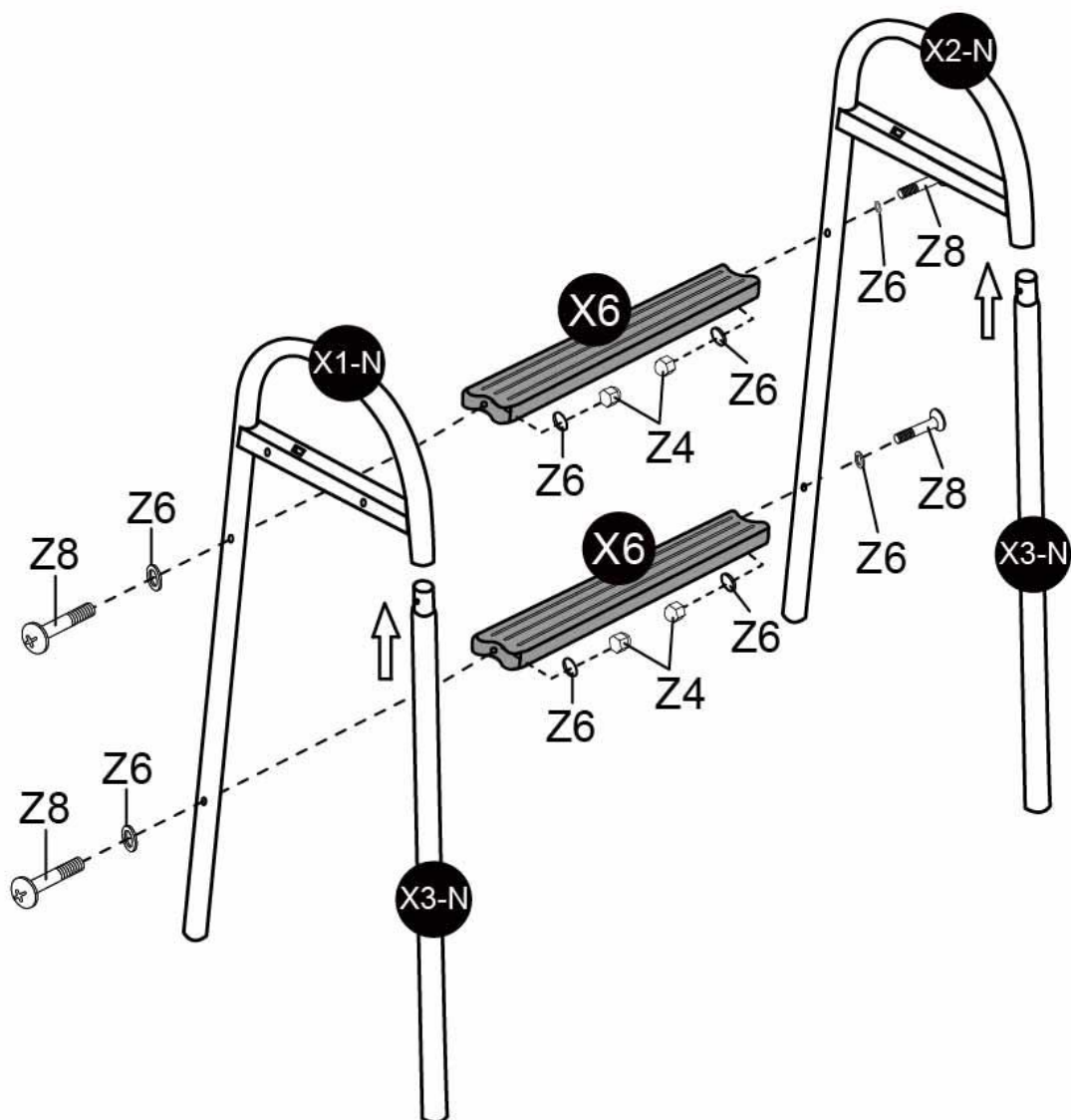
- Insert Slide Front Support (X5-N) into Slide (Y2) and secure with Z9 and Z6.
- Connect (X4-N) into Slide (Y2) as shown below.

Bolt holes face up



STEP 21 Slide Assembly (continued)

- Connect Slide Ladder Steps (X6) to Slide Supports (X1-N and X2-N). Secure both sides using Z8, Z6 and Z4 as shown below.
- Insert Slide Leg Tube (X3-N) into X1-N and X2-N as shown. Align the holes and hold in position.

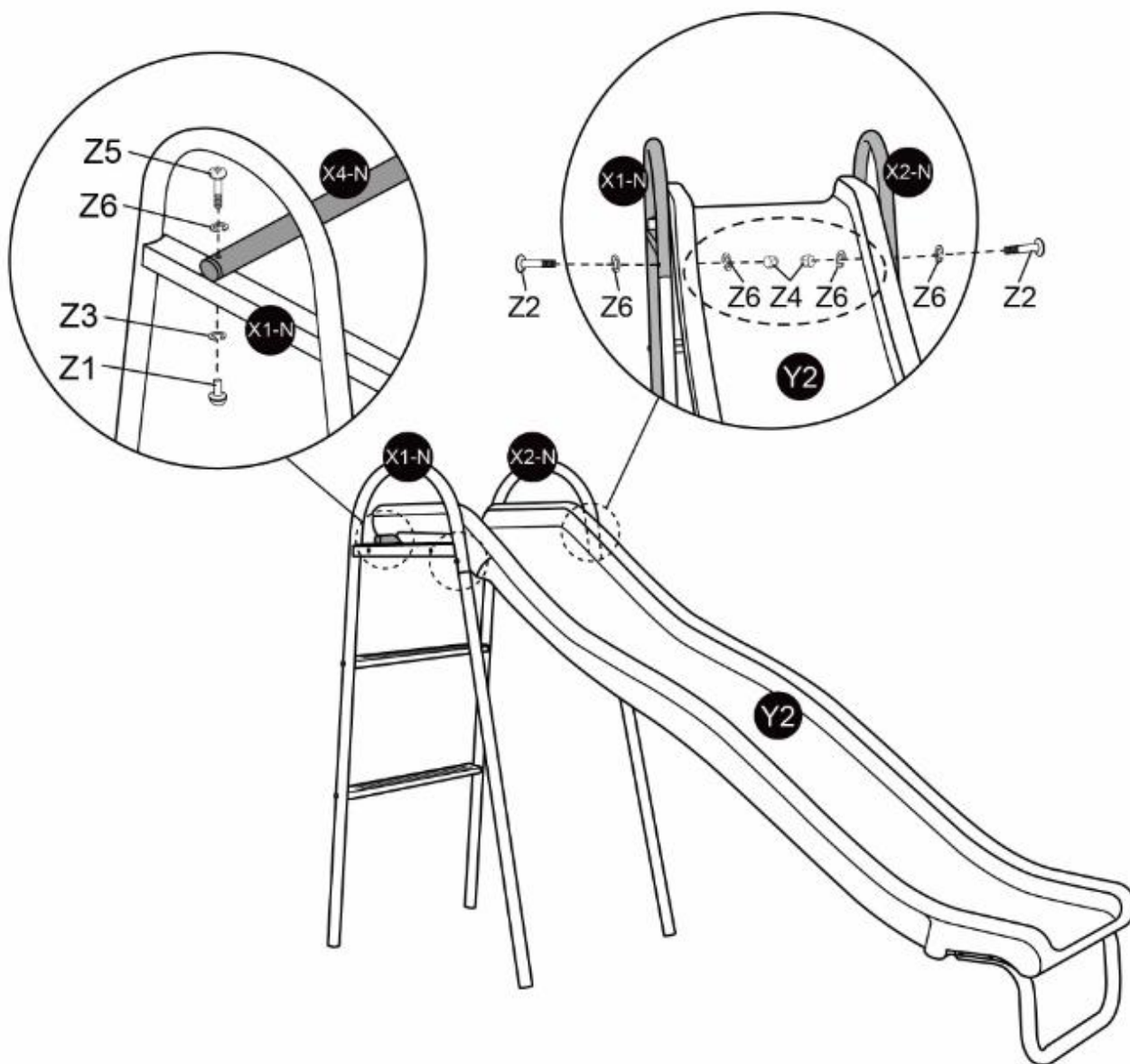


STEP 22 Slide assembly (continued)

- Secure X4-N to the ladder using Z1, Z3, Z6 and Z5 as shown in DIAGRAM A.
- Place Slide (Y2) onto the assembled step ladder and secure both sides to the leg tubes using Z2, Z6, Z6 and Z4 as shown in DIAGRAM B.

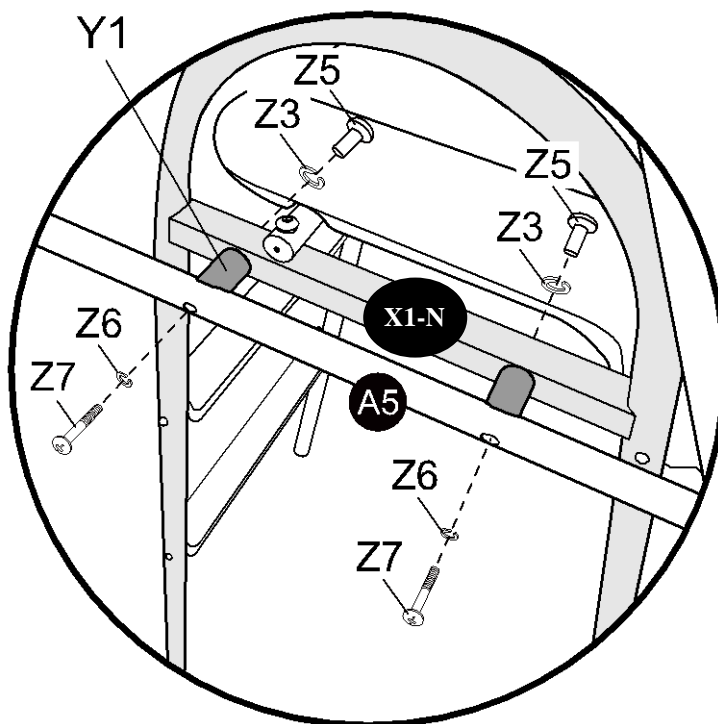
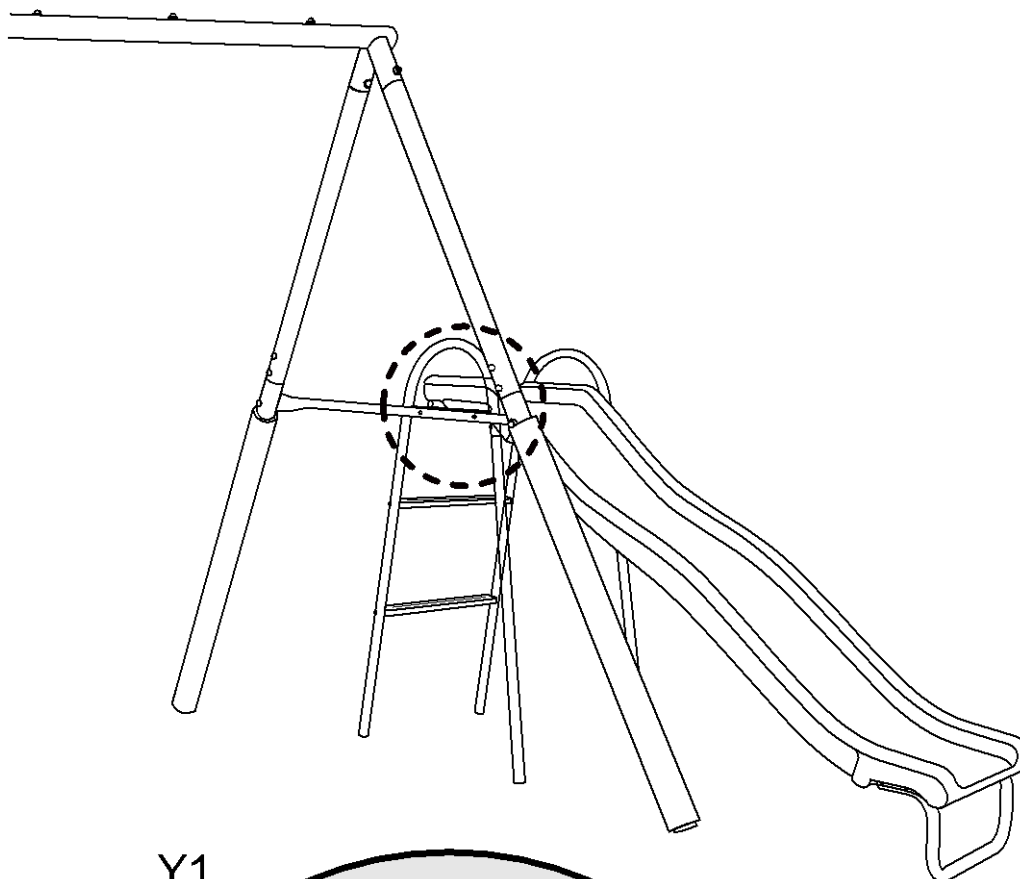
DIAGRAM A

DIAGRAM B




STEP 23 Connect the slide to the swing set


Connect the assembled slide to the swing set frame. Place Plastic Connector (Y1) between A5 and X1-N and secure together using Z7, Z6, Z3 and Z5 as shown below.

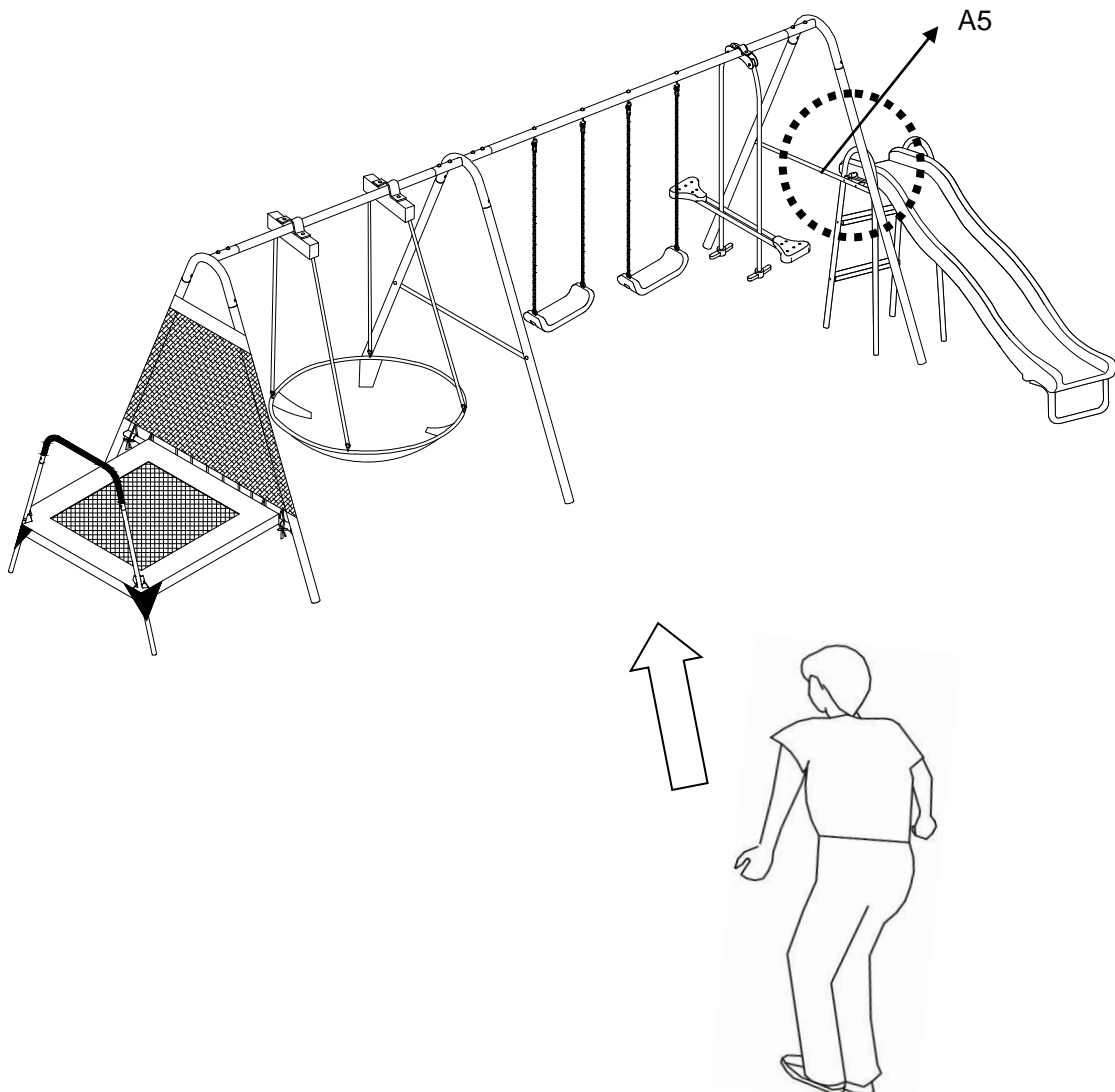


Congratulations!

You have now completed installing the equipment. Please make sure to go back and check all hardware and ensure all bolts and nuts are securely tightened before using the playground equipment.

 **WARNING - Do not let children use the playground equipment until it is properly assembled and anchored.**

 **WARNING!**
Please ensure the slide is attached to the front end of A8 (the cross bar to which the slide is connected). This is to avoid the risk of entrapment.



MANUFACTURER'S LIMITED WARRANTY

Sportspower Ltd warrants its products to be free from defects in material and workmanship under normal use and service conditions for ninety (90) days after the date of purchase. Extended warranty from 90 to 180 days will be offered to those customers registering their products at www.sportspowerltd.net within 14 days from the date of purchase. The frame is warranted for 12 months after the date of purchase.

This warranty coverage extends only to the original purchaser with a receipt and is non-transferable. All products for which a warranty claim is made must be received by SPORTSPOWER'S authorized service center, freight prepaid, and accompanied by sufficient proof of purchase during the warranty period.

This limited warranty does not cover our products which: fail due to (1) normal wear; (2) abuse and neglect; (3) improper maintenance; (4) unauthorized repairs or alterations or (5) are used for commercial or other income producing purposes or (6) accidents and misuse.

All warranty repairs must be authorized by SPORTSPOWER Customer Service before repairs are made.

IMPORTANT: A missing part is not considered the same thing as a defective part or unit. If a part is missing, there is no need to return the entire unit to the store. In order to obtain fast replacement parts or service as provided by this warranty, please call the number below. Proof of purchase required.

For customer service, please call 1-866-632-1718

Monday-Friday 9am-5pm Eastern Time

or visit www.partsnservice.com

NA-17-MS3878-WM.COM -16001